

*the empowering*

# Maker

**Specification & Pricing Guide**

*version 1.03*

*1/1/2017*



# Table of Contents

## Ordering Information

## Specifications Guide

Table Top Specifications	4
Table Size Specifications	4
Table Base Specifications	4
Storage Cabinet Specifications	5
Electrical / Power	6
LIAT Shipping Zones	8
Shipping   Pricing Guide	8
Pricing Guide Tutorial	10

## Shared Tables

Leg Base   Build Guide	14
Leg Base   Pricing Guide	15

## Work Tables

Lower Shelf   Build Guide	18
Lower Shelf   Pricing Guide	19
Storage Cabinet   Build Guide	20
Storage Cabinet   Pricing Guide	21
Cabinet Accessories   Pricing Guide	22
Cabinet Accessories   Pricing Guide	23
Cabinet Accessories   Pricing Guide	24
Cabinet Accessories   Pricing Guide	25
Storage Cabinet   Popular Items	26
Storage Cabinet   Popular Items	27

## Accessories

Built-In Power & Data	30
Add-On Power & Data	31
Add-On Power & Data	32
Add-On Wire Management	36
Monitor Arms & CPU Holders	37

## Terms and Conditions

Maker Terms and Conditions	38
GSA Terms and Conditions	40

# Ordering Information

## Ordering Information Checklist

Use this checklist to be sure you have all of the necessary information to order your Maker unit.

### Catalog Number

Use our build guides to create your Maker catalog number.

### Wood Species

Oak

Maple

### Wood Finish

#### Maple

Amber Cherry | ACM

Amber Maple | AMM

Carmel Maple | CMM

Dark Mahogany | DMM

Light Cherry | LCM

Medium Cherry | MCM

Medium Mahogany | MMM

Medium Walnut | MWM

Natural Maple | NMM

Montana Walnut | OWM

Versailles Anigre | VAM

#### Oak

Dark Mahogany | DMO

Golden Oak | GOO

Light Cherry | LCO

Medium Oak | MOO

Medium Cherry | MCO

Medium Walnut | MWO

Medium Mahogany | MMO

Natural Oak | NOO

#### Color Stain

Blue

Green

Orange

Red

Yellow

### Laminate Selection

Standard Wilsonart, Formica, Nevamar or Pionite. Please specify manufacturer, color, and model number.

### PVC Edge Band

Black | BK-PVC

Fashion Grey | FG-PVC

Frosty White | FW-PVC

North Sea | NS-PVC

Slate Grey | SG-PVC

Cafelle | CA-PVC

Nepal Teak | NP-PVC

Windsor Mahogany | WM-PVC

Hampton Walnut | HW-PVC

Natural Oak | NO-PVC

Black | BK-PVC

Fashion Grey | FG-PVC

Frosty White | FW-PVC

North Sea | NS-PVC

Slate Grey | SG-PVC

### Metal

#### Powder Coated Steel

Steel Gray

Textured Black

White

Black

Silver

\*Standard metal color is silver, other colors may require longer lead times and will have an upcharge.

□ Accessories

① LIAT Finish Match Suggestions

LIAT Wood Finish	Laminate	PVC Edge
Amber Cherry on Maple   ACM	Wilsonart Amber Cherry   7919K-60	Amber Cherry   AC-PVC
Amber Maple on Maple   AMM	Formica Natural Teak   8849-58	Natural Teak   NT-PVC
Carmel Maple on Maple   CMM	–	–
Dark Mahogany on Maple   DMM	–	–
Light Cherry on Maple   LCM	Wilsonart Huntington Maple   7929-60	Huntington Maple   HM-PVC
Medium Cherry on Maple   MCM	–	–
Medium Mahogany on Maple   MMM	–	–
Medium Walnut on Maple   MWM	–	–
Natural Maple on Maple   NMM	Wilsonart Kensington Maple   10776-60	Kensington Maple   KM-PVC
Montana Walnut on Maple   OWM	Wilsonart Montana Walnut   7110K-60	Montana Walnut   MW-PVC
Versailles Anigre on Maple   VAM	Wilsonart Versailles Anigre   7923K-60**	Versailles Anigre   VA-PVC
Dark Mahogany on Oak   DMO	Wilsonart Cafelle   7933K-60**	Cafelle   CA-PVC
Golden Oak on Oak   GOO	Wilsonart Nepal Teak   7209K-60	Nepal Teak   NP-PVC
Light Cherry on Oak   LCO	–	–
Medium Oak on Oak   MOO	–	–
Medium Cherry on Oak   MCO	Wilsonart Windsor Mahogany   7039K-60	Windsor Mahogany   WM-PVC
Medium Walnut on Oak   MWO	Wilsonart Hampton Walnut   7959K-38**	Hampton Walnut   HW-PVC
Medium Mahogany on Oak   MMO	Pionite Jewel Mahogany   WY351-N	–
Natural Oak on Oak   NOO	Formica Natural Oak   346	Natural Oak   NO-PVC
–	Wilsonart Black   1595-60	Black   BK-PVC
–	Wilsonart Fashion Grey   D381-60	Fashion Grey   FG-PVC
–	Wilsonart Frosty White   1573-60	Frosty White   FW-PVC
–	Wilsonart North Sea   D90-60	North Sea   NS-PVC
–	Wilsonart Slate Grey   D91-60	Slate Grey   SG-PVC

(–) a suggested match is not available.

\*\*indicates premium pricing, please contact project management for more information.

# Specifications Guide

## Table Top Specifications

### Glued-Up Solid Tops

**Tops** - 1-1/4" thick solid maple with grade A 1 face and 4 edges and sound backs. Glued with 3" wide minimum continuous staves, with the grain running the length of the table.

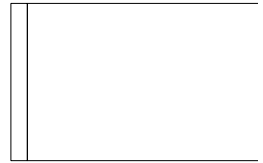
**Edges** – All edges shall be eased.

### PVC Edge

**Tops** - 1-1/4" thick, 3-ply particle board core

**Laminate** - .050" thick high pressure laminate top surface and a phenolic backing sheet.

**Edges** - banded with a 3mm PVC edge band.



## Table Size Specifications

### Nominal Table Height

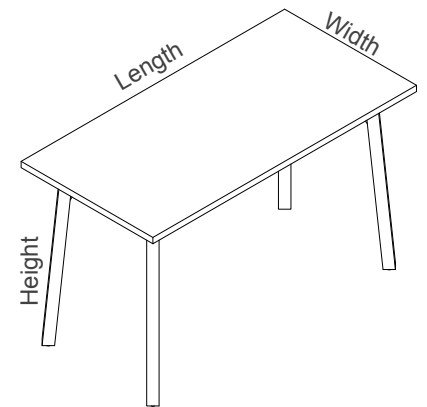
**Height** - 36".

### Nominal Table Width

See specific sections for available table widths.

### Nominal Table Length

See specific sections for available table lengths.

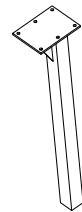


## Table Base Specifications

### Legs

The legs shall be constructed of a **2" square 14 gauge** steel leg welded to a 1/4" thick steel mounting plate and support gusset. The leg plate shall attach to metal inserts in the top with **(6) 5/16-18 x 1" hex head bolts** and lock washers.

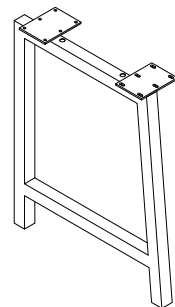
The legs shall be powder coated.



### Frames

The frames shall be constructed of **2" square 14 gauge** steel legs welded to 1/4" thick steel mounting plates and two 2" square 14 gauge horizontal cross bars. Each leg plate shall attach to metal inserts in the top with **(6) 5/16-18 x 1" hex head bolts** and lock washers.

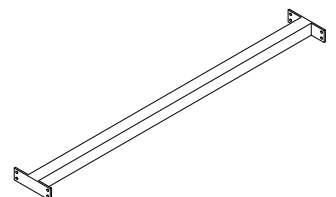
The frames shall be powder coated.



### Stretchers

The stretchers shall be constructed of a **2" square 14 gauge** steel tube welded to 1/4" thick steel mounting plates. The mounting plates shall attach to the end frames with **(8) 1/4-20 x 5/8" PPH machine screws** and lock washers.

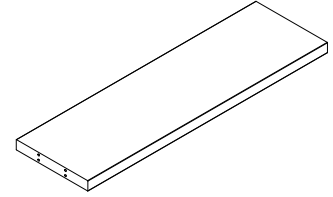
The stretchers shall be powder coated.



## Shelves/Modesty Panels

The shelves/modesty panels shall be constructed of **bent 14 gauge sheet steel**. The mounting plates shall attach to the end frames with **(8) ¼-20 x 5/8" PPH machine screws** and lock washers.

The shelves/modesty panels shall be powder coated.



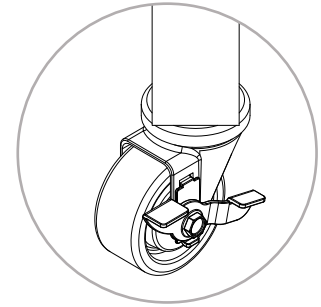
## Glides

Each standard leg shall include a 1-1/4" diameter rubber cushioned adjustable leveling glide with a 15/16" stem.

## Casters

Each mobile leg shall include a 3" diameter x 1-1/4" thick polyolefin caster with a 1/2-13 x 1-1/2" stem.

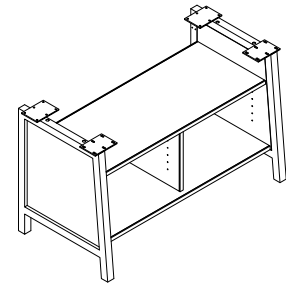
Each caster shall have a dynamic load capacity of 300+ pounds.



## Storage Cabinet Specifications

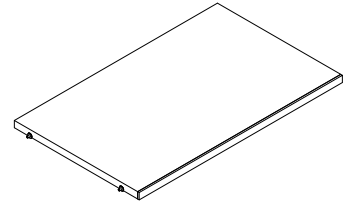
### Storage Cabinet

The storage cabinet shall be constructed of two end frames connected to a lower stretcher for support. Two end panels constructed of 1-1/4" thick particle board core with grade "A" veneer faces shall be inset in the end frames. Two back panels constructed of ¼" thick plywood with select rotary cut face veneer and an intermediate panel constructed of 1" thick veneer core with grade "A" veneer faces shall be captured between two shelves constructed of 1" thick veneer core with grade "A" veneer faces. The end and intermediate panels shall include shelf pin holes spaced at 2" on center for the addition of an adjustable shelf.



### Adjustable Shelves

The adjustable shelves shall be constructed of 1" thick veneer core with grade "A" plain sliced veneer faces. Shelves shall have an eased external band on the front edge, and the underside of the shelf shall be routed to accept shelf pins.

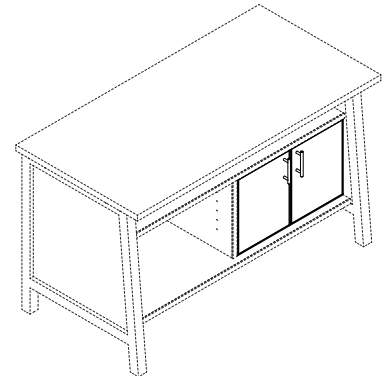


## Doors

The door fronts shall be constructed of ¾" thick veneer core with grade "A" plain sliced veneer faces with a vertical grain direction. The doors shall include hinges with a 94 degree opening angle. Locks can be added to the doors to include a lock on the right hand door and a rooster catch on the left by adding a "-LK" suffix to the part number.

Locks come standard being keyed randomly. If the locks should be keyed alike, it must be specified on the purchase order.

*Adjustable Shelves shall be able to work in conjunction with Doors.*

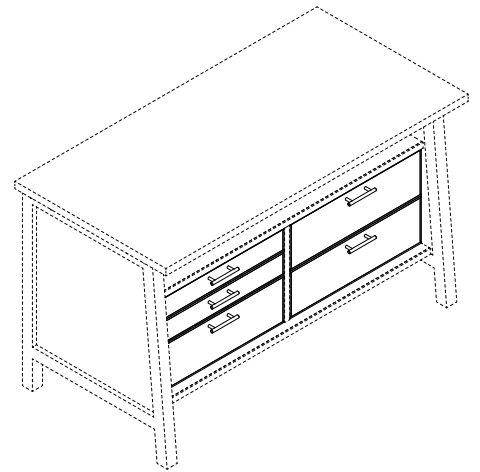


## Drawers

The drawer fronts shall be constructed of 3/4" thick veneer core with grade "A" plain sliced veneer faces with a vertical grain direction. The drawer box shall be constructed of 12mm birch plywood front, sides, and back that are routed to accept a 1/4" thick bottom panel. The drawer box shall utilize ball bearing side-mount drawer slides with a 100+ pound rating. Locks can be added to the 24 and 34 sized drawers to include a lock on the top right of the drawer by adding a "-LK" suffix to the part number.

Each drawer locks separately, and locks come standard being keyed randomly. If the locks should be keyed alike, it must be specified on the purchase order.

Drawer layouts must also be specified on the purchase order for grain alignment.

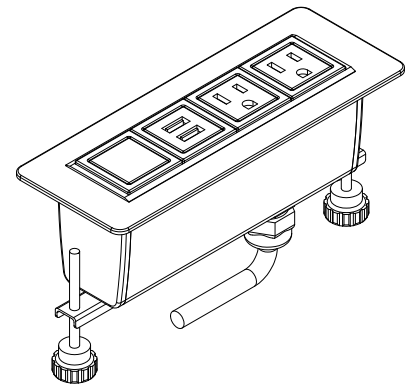


## Electrical / Power

### Electrical / Power

All tables include an optional electrical/power cutout upgrade for use with a 4-window Axil Z power unit.

*See the accessories section for standard offerings, or contact project management to customize your desired configurations.*

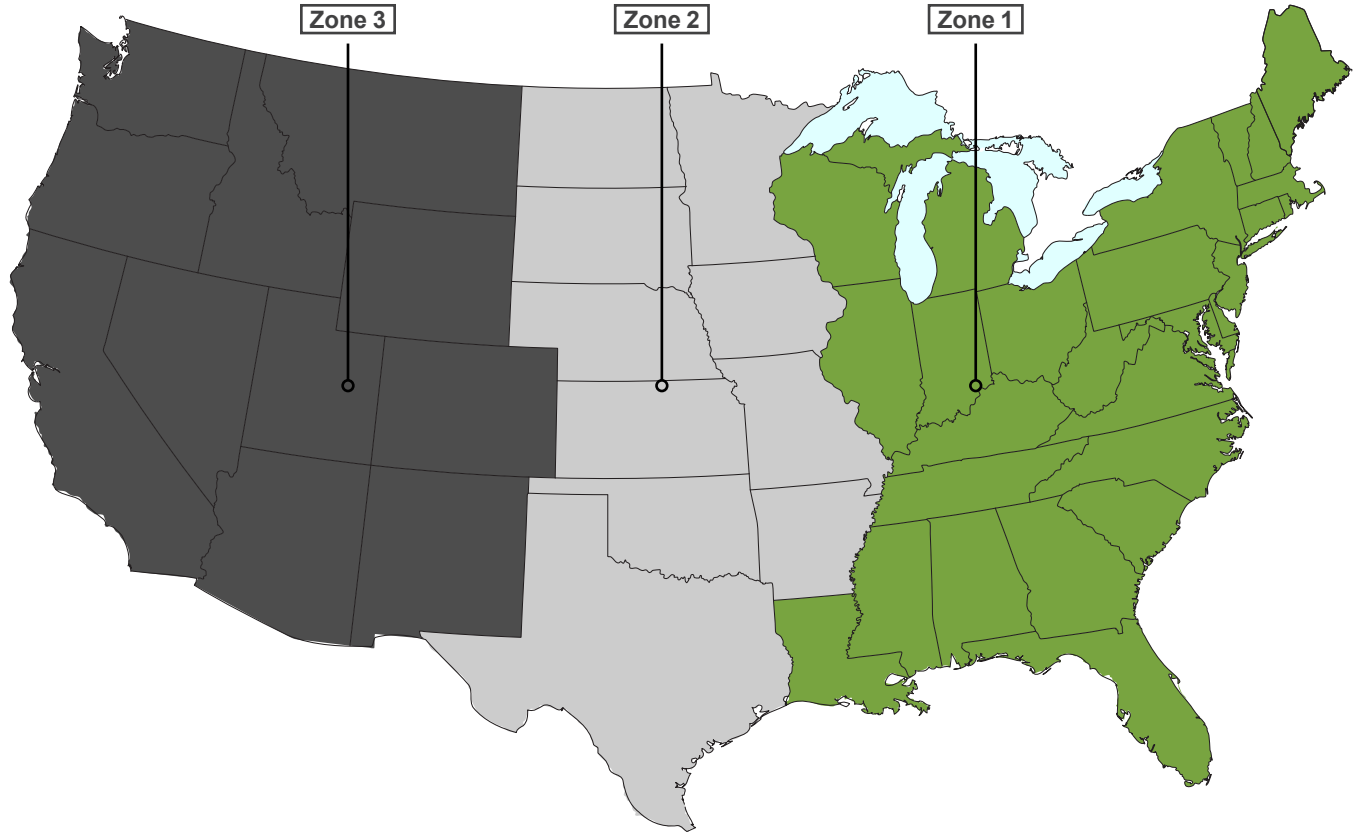


# LIAT Shipping Zones

## Shipping | Pricing Guide

Use the following guide to **determine the delivered pricing** for your LIAT furniture product by **selecting your zone** from the map and reviewing the price changes for each zone. To **determine your list price**, add your prices from your selected furniture and then **add the shipping cost based on your designated zone**.

### USA



- Zone 1** No extra cost
- Zone 2** Add 4% to the list price
- Zone 3** Add 7% to the list price

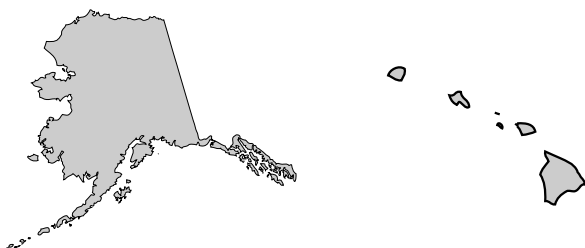
**Zone 1** orders less than \$5,000 list will have a freight minimum fee of **\$375** list.

**Zone 2** orders less than \$5,000 list will have a freight minimum fee of **\$375** list, plus **4%** of list

**Zone 3** orders less than \$5,000 list will have a freight minimum fee of **\$375** list, plus **7%** of list

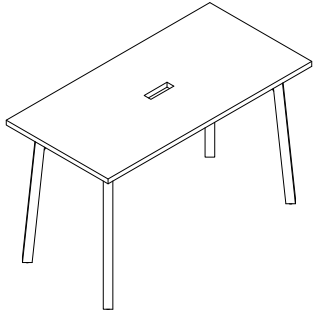
## Hawaii, Alaska, and International

**Note.** This system does not apply to our international customers or those living in Alaska and Hawaii, **freight must be quoted separately for these orders.**





### Example 1 Below \$5,000 list



#### MK-ST-3060-36-GS-AZC

List Price - \$1,473

**Nominal Size** - 30" W x 60" L x 36" H

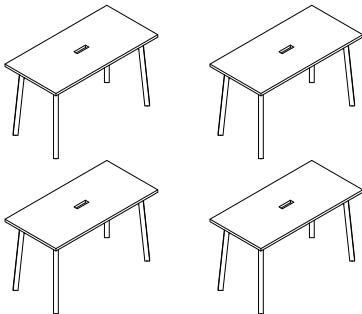
**Actual Footprint** - 30" W x 60" L x 36" H

**Surface** - Glued-Up Solid Top

**Power** - Axil Z

- **Zone 1** List Price: \$1,473 + \$375(Flat fee) = **\$1,848**
- **Zone 2** List Price: \$1,473 + \$375(Flat fee) + \$58(4% of list) = **\$1,906**
- **Zone 3** List Price: \$1,473 + \$375(Flat fee) + \$103(7% of list) = **\$1,951**

### Example 2 Above \$5,000 list



#### MK-ST-3060-36-GS-AZC (more than one)

List Price - \$5,892

**Nominal Size** - 30" W x 60" L x 36" H

**Actual Footprint** - 30" W x 60" L x 36" H

**Surface** - Glued-Up Solid Top

**Power** - Axil Z

- **Zone 1** List Price: \$5,892 = **\$5,892**
- **Zone 2** List Price: \$5,892 + \$235(4% of list) = **\$6,127**
- **Zone 3** List Price: \$5,892 + \$412(7% of list) = **\$6,304**

\*Assembly is not required for LIAT's standard Maker product.

# Pricing Guide Tutorial

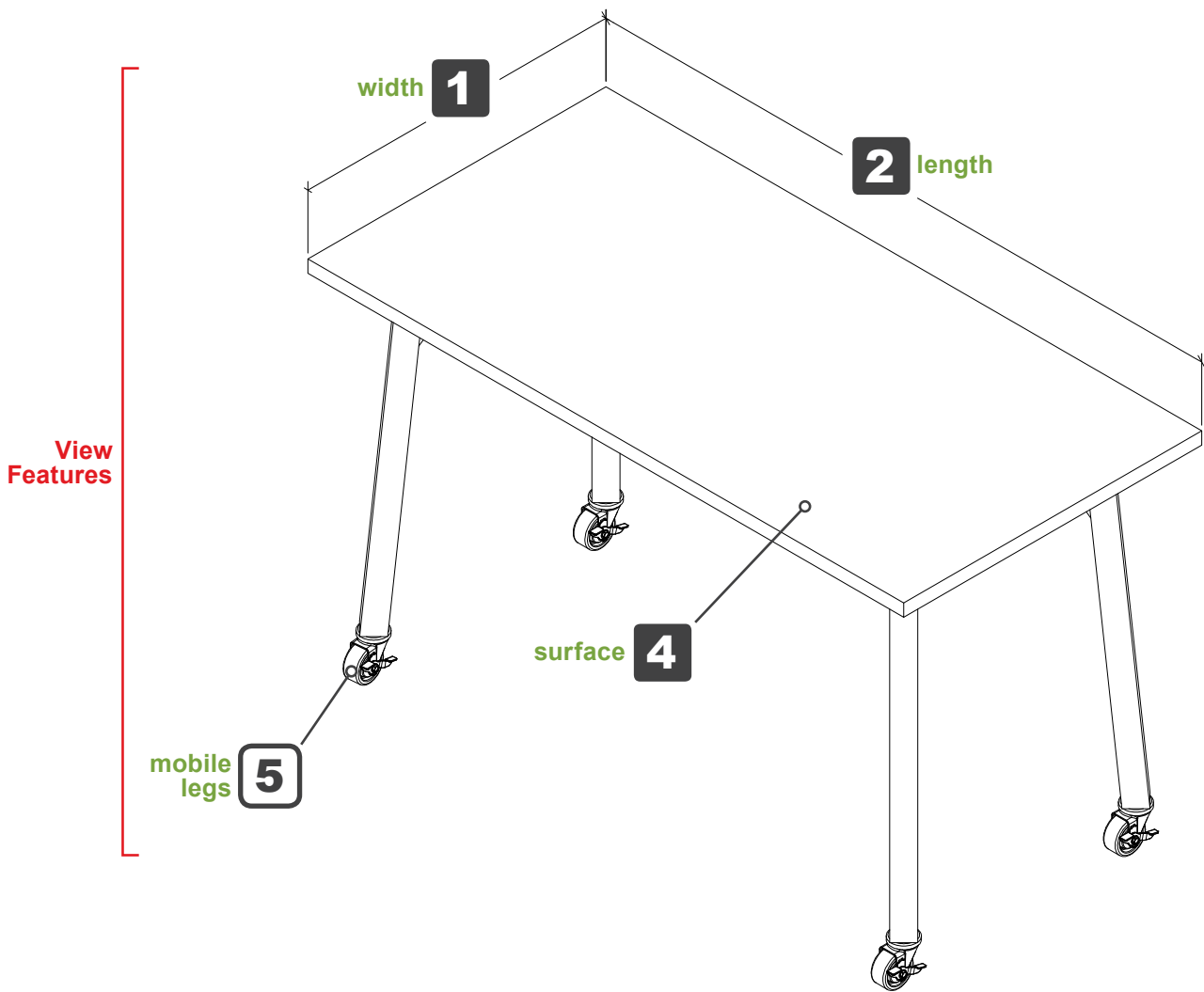
## How to use this pricing guide

These pages are a guide on how to build and customize your *Maker* table using this specification and pricing guide.

**Collection and Product Type**

**MK**   **ST**   **width 1**   **length 2**   **height 3**   **surface 4**

**Required Selections** ↑ ↑ ↑ ↑



**Unit Shown** MK-ST-3060-36-GS-CA

Shown options creating a unique product code

**List Price** \$1,514

Price of unit shown

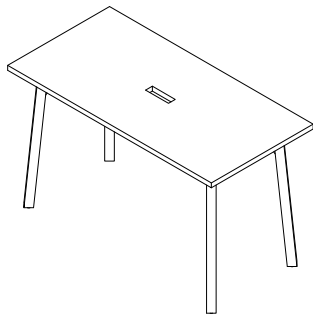
To compare various combinations, use price chart



Required Selections						
Component	Code	Description	42" Long	48" Long	60" Long	72" Long
<b>1</b> Width	<b>30</b>	30" Wide Top	\$1,269	\$1,321	\$1,426	\$1,540
	<b>36</b>	36" Wide Top	\$1,339	\$1,404	\$1,536	\$1,667
	<b>42</b>	42" Wide Top	\$1,418	\$1,492	\$1,645	\$1,794
<b>2</b> Length	<b>42</b>	42" Long Top	\$0	-	-	-
	<b>48</b>	48" Long Top	-	\$0	-	-
	<b>60</b>	60" Long Top	-	-	\$0	-
	<b>72</b>	72" Long Top	-	-	-	\$0
<b>3</b> Height	<b>29</b>	29" High Table	\$0	\$0	\$0	\$0
	<b>36</b>	36" High Table	\$0	\$0	\$0	\$0
<b>4</b> Surface	<b>GS</b>	Glued-Up Solid Top	\$0	\$0	\$0	\$0
	<b>MM</b>	Laminate With PVC Edge	\$0	\$0	\$0	\$0
Available Upgrades						
Component	Code	Description	42" Long	48" Long	60" Long	72" Long
<b>5</b> Mobile Legs	<b>-CA</b>	Casters	\$88	\$88	\$88	\$88
<b>6</b> Power	<b>-AZC</b>	Axil Z Cutout, Center	\$47	\$47	\$47	\$47
		-Power unit ordered separately				

**MK-ST-3060-36-GS-CA**

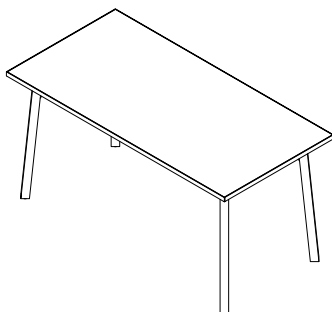
**\$1,514**



**MK-ST-3060-36-GS-AZC**

**List Price - \$1,473**

**Nominal Size** - 30" W x 60" L x 36" H  
**Actual Footprint** - 30" W x 60" L x 36" H  
**Surface** - Glued-Up Solid Top  
**Power** - Axil Z



**MK-ST-3672-36-MM**

**List Price - \$1,667**

**Nominal Size** - 36" W x 72" L x 36" H  
**Actual Footprint** - 36" W x 72" L x 36" H  
**Surface** - Laminate with PVC Edge



# Shared Tables

*Tables for collaboration*



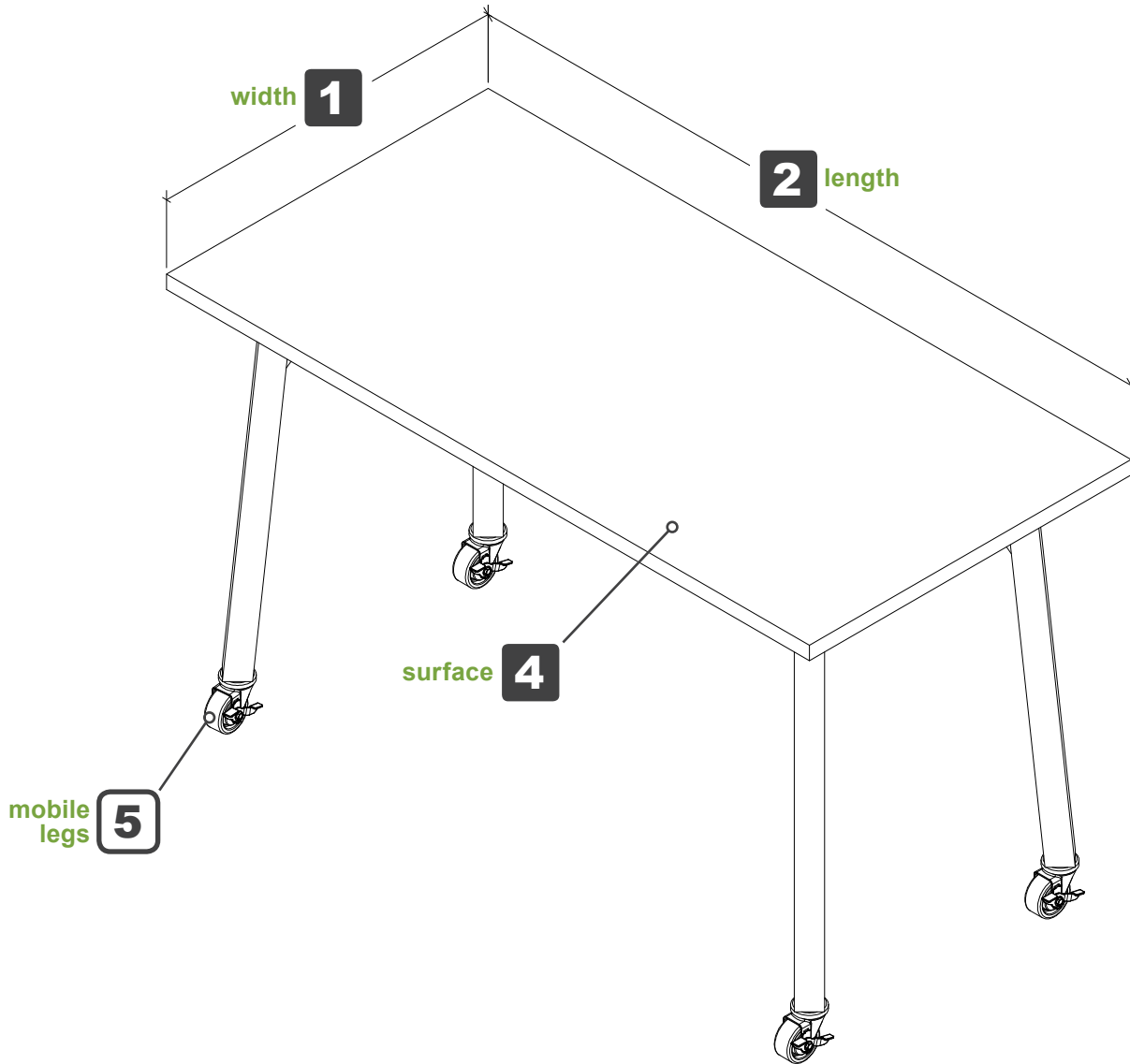
## Maker Shared Table

### Leg Base | Build Guide

Use the following guide to **determine the catalog number** for your Maker Leg Base table by **selecting your choice** from the available options. To **determine your list price**, add all prices for your selected items from the table to the right.

**MK** – **ST** – **1** – **2** – **3** – **4**

width length height surface

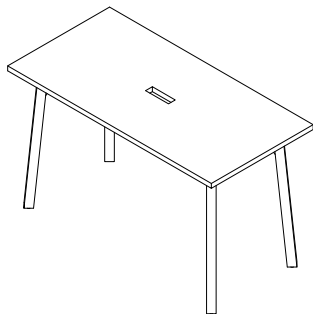


**Unit Shown** MK-ST-3060-36-GS-CA

**List Price** \$1,514

Required Selections						
Component	Code	Description	42" Long	48" Long	60" Long	72" Long
<b>1</b> Width	30	30" Wide Top	\$1,269	\$1,321	\$1,426	\$1,540
	36	36" Wide Top	\$1,339	\$1,404	\$1,536	\$1,667
	42	42" Wide Top	\$1,418	\$1,492	\$1,645	\$1,794
<b>2</b> Length	42	42" Long Top	\$0	-	-	-
	48	48" Long Top	-	\$0	-	-
	60	60" Long Top	-	-	\$0	-
	72	72" Long Top	-	-	-	\$0
<b>3</b> Height	29	29" High Table	\$0	\$0	\$0	\$0
	36	36" High Table	\$0	\$0	\$0	\$0
<b>4</b> Surface	GS	Glued-Up Solid Top	\$0	\$0	\$0	\$0
	MM	Laminate With PVC Edge	\$0	\$0	\$0	\$0
Available Upgrades						
Component	Code	Description	42" Long	48" Long	60" Long	72" Long
<b>5</b> Mobile Legs	-CA	Casters	\$88	\$88	\$88	\$88
<b>6</b> Power	-AZC	Axil Z Cutout, Center	\$47	\$47	\$47	\$47

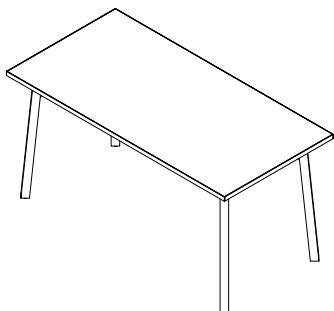
-Power unit ordered separately



### MK-ST-3060-36-GS-AZC

List Price - \$1,473

**Nominal Size** - 30" W x 60" L x 36" H  
**Actual Footprint** - 30" W x 60" L x 36" H  
**Surface** - Glued-Up Solid Top  
**Power** - Axil Z



### MK-ST-3672-36-MM

List Price - \$1,667

**Nominal Size** - 36" W x 72" L x 36" H  
**Actual Footprint** - 36" W x 72" L x 36" H  
**Surface** - Laminate with PVC Edge





# Work Tables

*Tables that inspire*



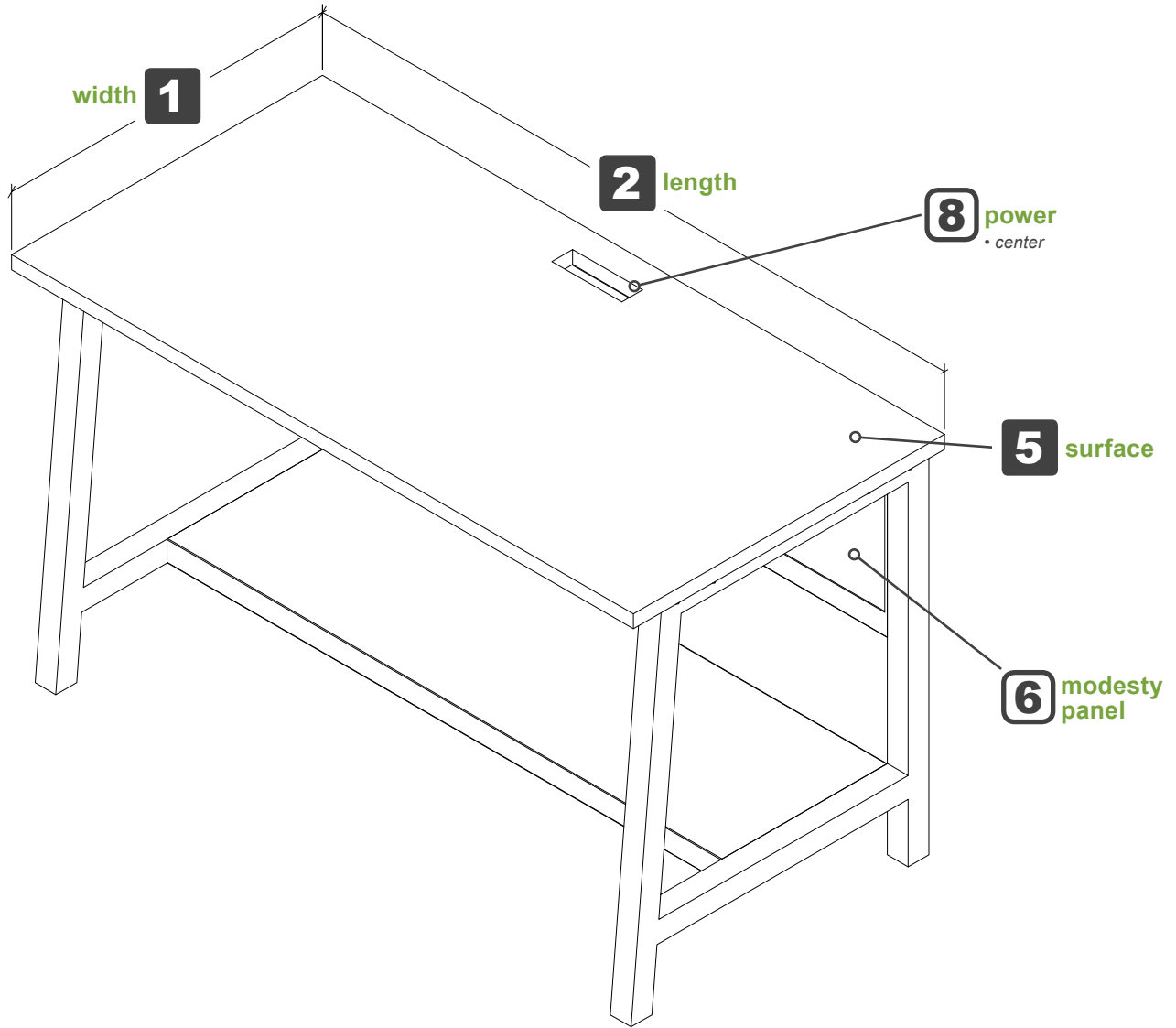
# Maker Work Table

## Lower Shelf | Build Guide

Use the following guide to **determine the catalog number** for your Maker Lower Shelf table by **selecting your choice** from the available options. To **determine your list price**, add all prices for your selected items from the table to the right.

**MK - WT -** **1** **2** **3** - **4** - **5**

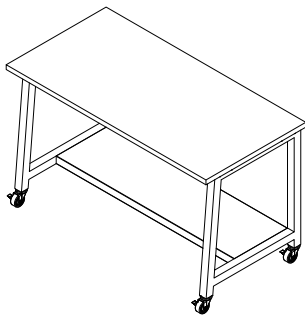
width length table type height surface



**Unit Shown** MK-WT-3060LS-36-GS-MP-AZC

**List Price** \$2,392

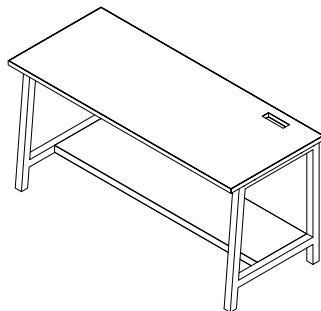
Required Selections					
Component	Code	Description	60" Long	72" Long	
1	Width	30	30" Wide Top	\$2,039	\$2,196
		36	36" Wide Top	\$2,279	\$2,454
2	Length	60	60" Long Top	\$0	-
		72	72" Long Top	-	\$0
3	Table Type	LS	Lower Shelf	\$0	\$0
4	Height	36	36" High Table	\$0	\$0
5	Surface	GS	Glued-Up Solid Top	\$0	\$0
		MM	Laminate With PVC Edge	\$0	\$0
Available Upgrades					
Component	Code	Description	60" Long	72" Long	
6	Modesty Panel	-MP	Modesty Panel	\$306	\$350
7	Mobile Legs	-CA	Casters	\$88	\$88
8	Power	-AZC	Axil Z Cutout, Center	\$47	\$47
		-AZL	Axil Z Cutout, Left	\$47	\$47
		-AZR	Axil Z Cutout, Right	\$47	\$47
-Power unit ordered separately					



### MK-WT-3060LS-36-GS-CA

List Price - \$2,127

**Nominal Size** - 30" W x 60" L x 36" H  
**Actual Footprint** - 30" W x 60" L x 36" H  
**Surface** - Glued-Up Solid Top



### MK-WT-3072LS-36-MM-AZR

List Price - \$2,243

**Nominal Size** - 30" W x 72" L x 36" H  
**Actual Footprint** - 30" W x 72" L x 36" H  
**Surface** - Laminate with PVC Edge

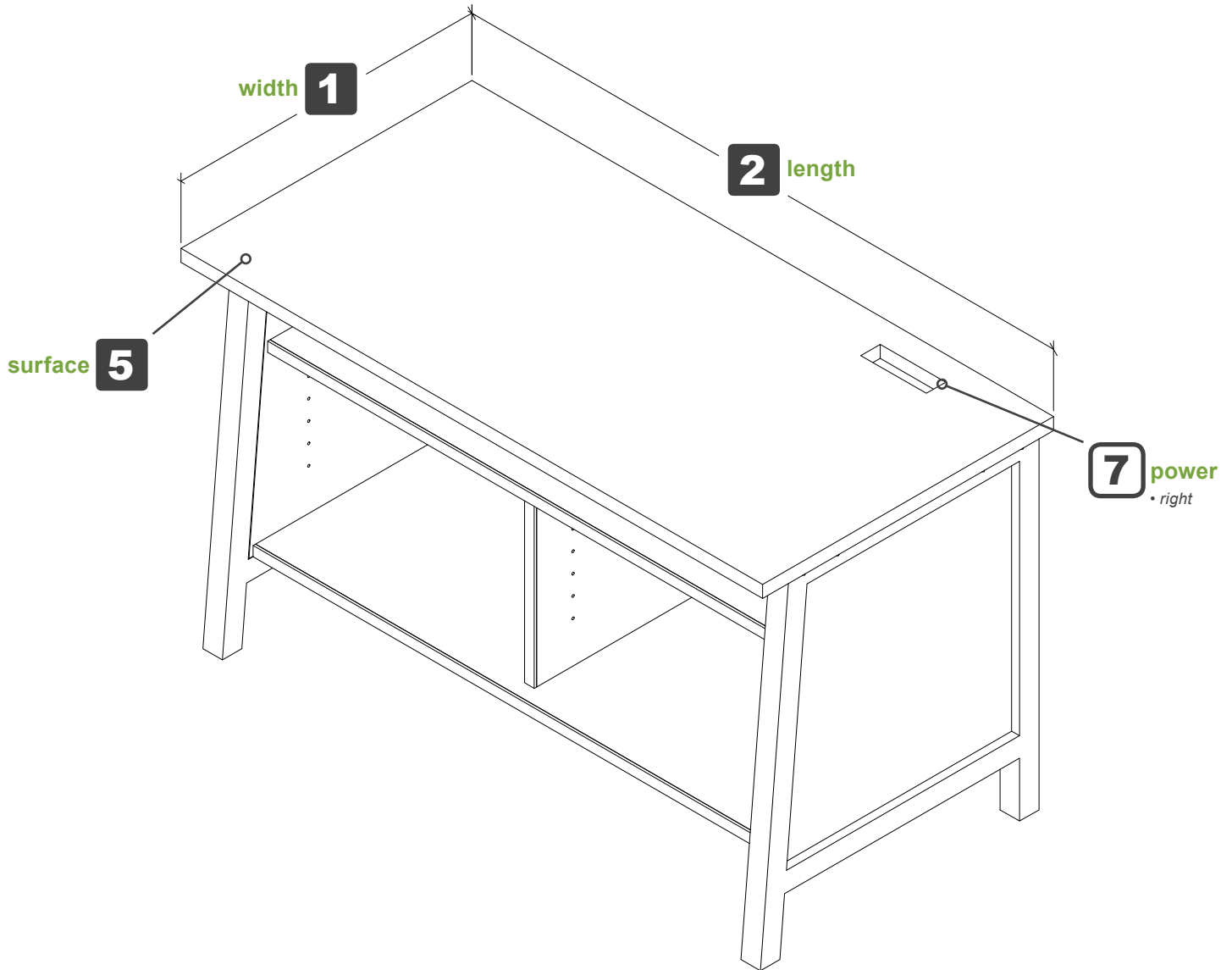
# Maker Work Table

## Storage Cabinet | Build Guide

Use the following guide to **determine the catalog number** for your Maker Storage Cabinet table by **selecting your choice** from the available options. To **determine your list price**, add all prices for your selected items from the table to the right.

**MK - WT -** **1** **2** **3** - **4** - **5**

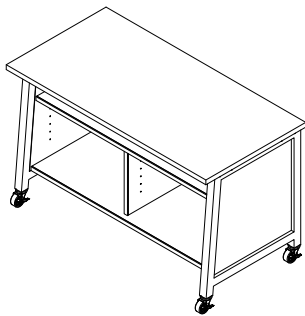
width length table type height surface



**Unit Shown** MK-WT-3060SC-36-GS-AZR

**List Price** \$3,017

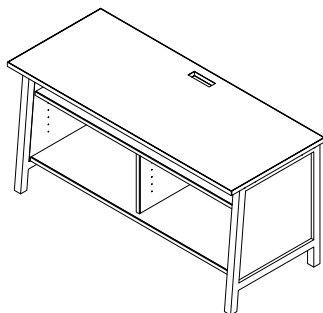
Required Selections				
Component	Code	Description	60" Long	72" Long
1 Width	30	30" Wide Top	\$2,970	\$3,260
	36	36" Wide Top	\$3,456	\$3,794
2 Length	60	60" Long Top	\$0	-
	72	72" Long Top	-	\$0
3 Table Type	SC	Storage Cabinet	\$0	\$0
4 Height	36	36" High Table	\$0	\$0
5 Surface	GS	Glued-Up Solid Top	\$0	\$0
	MM	Laminate With PVC Edge	\$0	\$0
Available Upgrades				
Component	Code	Description	60" Long	72" Long
6 Mobile Legs	-CA	Casters	\$88	\$88
7 Power	-AZC	Axil Z Cutout, Center	\$47	\$47
	-AZL	Axil Z Cutout, Left	\$47	\$47
	-AZR	Axil Z Cutout, Right	\$47	\$47
-Power unit ordered separately				



**MK-WT-3060SC-36-GS-CA**

List Price - \$3,058

Nominal Size - 30" W x 60" L x 36" H  
Actual Footprint - 30" W x 60" L x 36" H  
Surface - Glued-Up Solid Top



**MK-WT-3072SC-36-MM-AZC**

List Price - \$3,307

Nominal Size - 30" W x 72" L x 36" H  
Actual Footprint - 30" W x 72" L x 36" H  
Surface - Laminate with PVC Edge

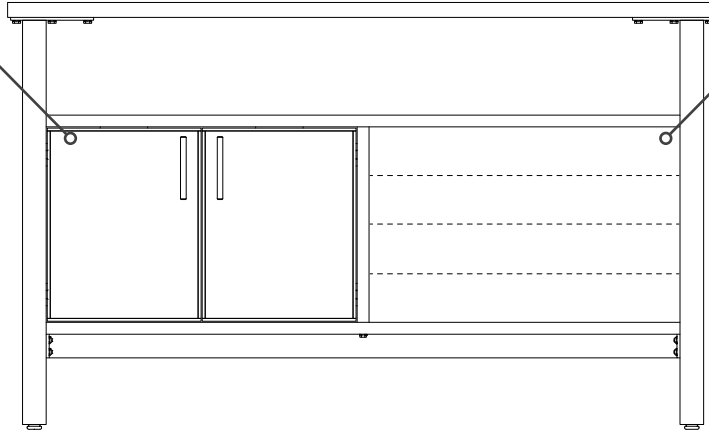
# Maker

## Cabinet Accessories | Pricing Guide

Use the following guide to **determine the catalog number** for your Maker Cabinet Accessories by **selecting your choice** from the available options.

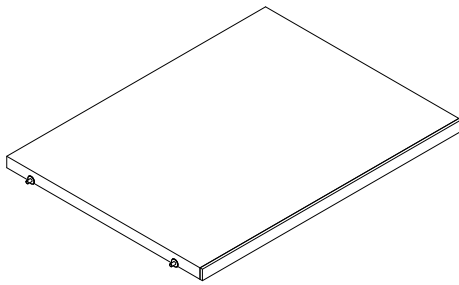
### Doors

for each storage space you may add in one set of doors. We recommended combining these with some adjustable shelves to maximize the organization of your table.



### Drawers

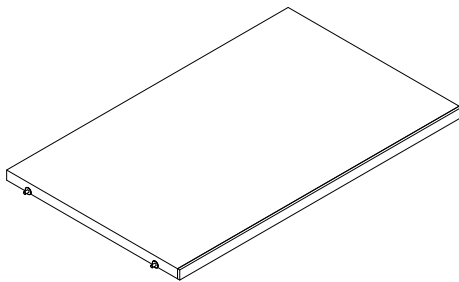
For drawers, the storage area is divided into four sections. You can choose drawers that take up 1/4, 2/4, or 3/4 sections. See our popular items for examples on ways to combine these drawers.



### MK-WT-3060SC-AS

Table Size - 30" W x 60" L

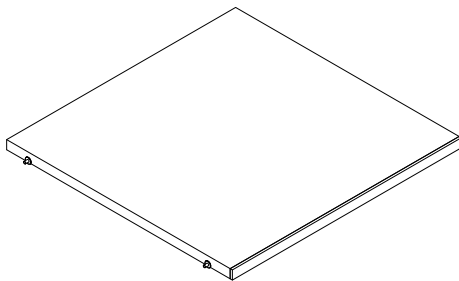
List Price - \$99



### MK-WT-3072SC-AS

Table Size - 30" W x 72" L

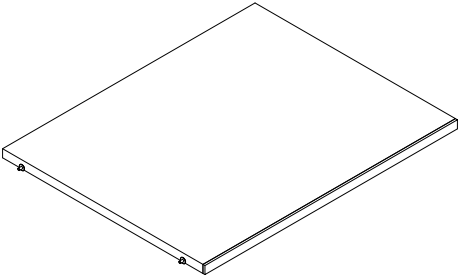
List Price - \$122



### MK-WT-3660SC-AS

Table Size - 36" W x 60" L

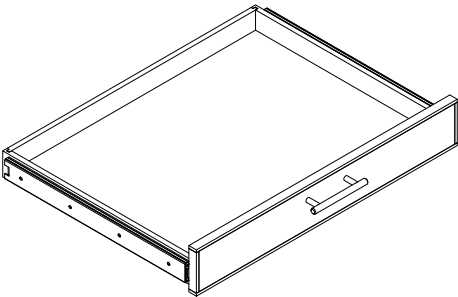
List Price - \$129



**MK-WT-3672SC-AS**

List Price - \$158

Table Size - 36" W x 72" L



**MK-WT-3060SC-36-14DW**

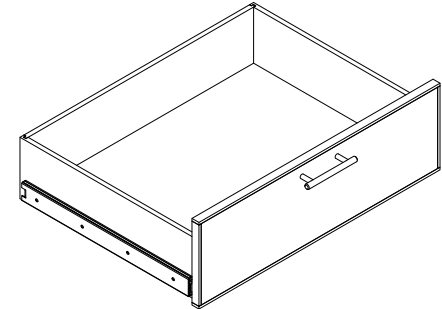
List Price - \$228

Table Size - 30" W x 60" L x 36" H

Storage Cabinet Proportions - 1/4

Drawer Footprint - 21-1/4" D x 26-1/4" W x 4" H

Inner Drawer - 18-1/8" D x 24-3/8" W



**MK-WT-3060SC-36-24DW**

List Price - \$306

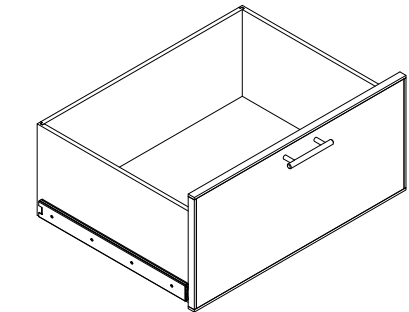
Table Size - 30" W x 60" L x 36" H

Storage Cabinet Proportions - 2/4

Drawer Footprint - 21-1/4" D x 26-1/4" W x 8-1/8" H

Inner Drawer - 18-1/8" D x 24-3/8" W

*add -LK for drawer lock (\$80)*



**MK-WT-3060SC-36-34DW**

List Price - \$385

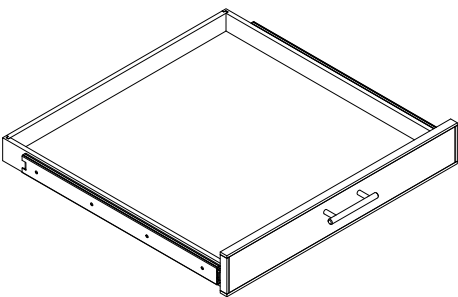
Table Size - 30" W x 60" L x 36" H

Storage Cabinet Proportions - 3/4

Drawer Footprint - 21-1/4" D x 26-1/4" W x 12-3/16" H

Inner Drawer - 18-1/8" D x 24-3/8" W

*add -LK for drawer lock (\$80)*



**MK-WT-3660SC-36-14DW**

List Price - \$236

Table Size - 36" W x 60" L x 36" H

Storage Cabinet Proportions - 1/4

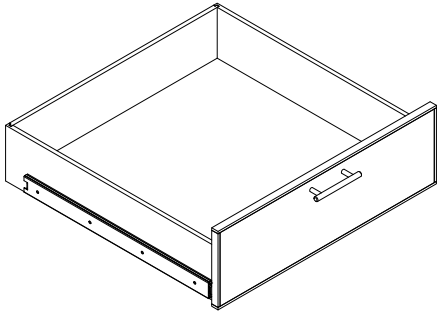
Drawer Footprint - 27-1/4" D x 26-1/4" W x 4" H

Inner Drawer - 24-1/8" D x 24-3/8" W

## Maker

### Cabinet Accessories | Pricing Guide

The following products are **popular and frequently ordered items**. The catalog number, description, actual footprint, and list prices are all provided. The items can be used exactly as-is, as a starting point for budgetary purposes, or simply as examples. Contact project management for any further information.



#### **MK-WT-3660SC-36-24DW**

**List Price - \$315**

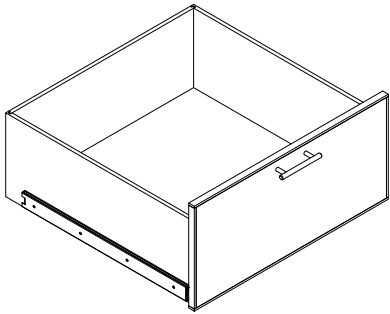
**Table Size - 36" W x 60" L x 36" H**

**Storage Cabinet Proportions - 2/4**

**Drawer Footprint - 27-1/4" D x 26-1/4" W x 8-1/8" H**

**Inner Drawer - 24-1/8" D x 24-3/8" W**

*add -LK for drawer lock (\$80)*



#### **MK-WT-3660SC-36-34DW**

**List Price - \$402**

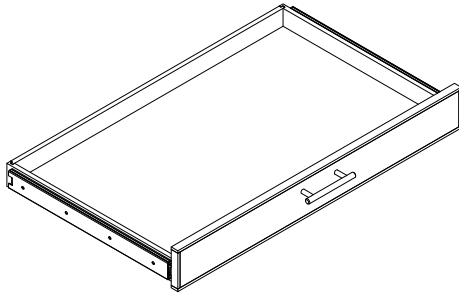
**Table Size - 36" W x 60" L x 36" H**

**Storage Cabinet Proportions - 3/4**

**Drawer Footprint - 27-1/4" D x 26-1/4" W x 12-3/16" H**

**Inner Drawer - 24-1/8" D x 24-3/8" W**

*add -LK for drawer lock (\$80)*



#### **MK-WT-3072SC-36-14DW**

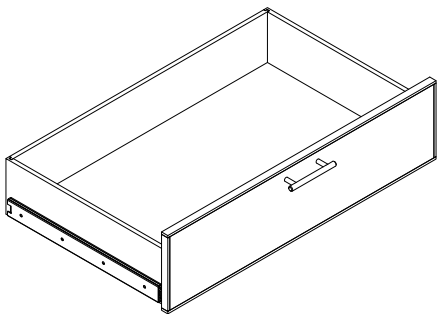
**List Price - \$245**

**Table Size - 30" W x 72" L x 36" H**

**Storage Cabinet Proportions - 1/4**

**Drawer Footprint - 21-1/4" D x 32-1/4" W x 4" H**

**Inner Drawer - 18-1/8" D x 30-3/8" W**



#### **MK-WT-3072SC-36-24DW**

**List Price - \$332**

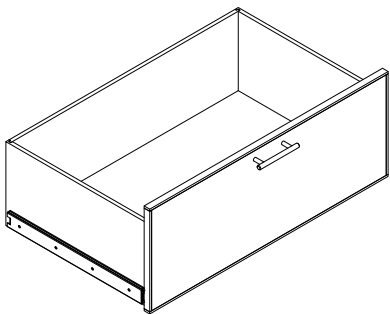
**Table Size - 30" W x 72" L x 36" H**

**Storage Cabinet Proportions - 2/4**

**Drawer Footprint - 21-1/4" D x 32-1/4" W x 8-1/8" H**

**Inner Drawer - 18-1/8" D x 30-3/8" W**

*add -LK for drawer lock (\$80)*



#### **MK-WT-3072SC-36-34DW**

**List Price - \$440**

**Table Size - 30" W x 72" L x 36" H**

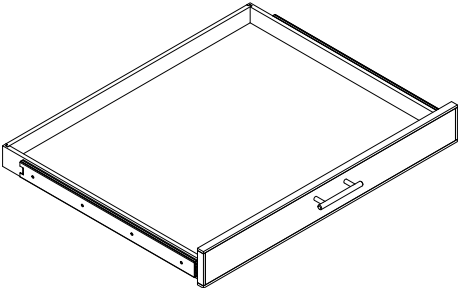
**Storage Cabinet Proportions - 3/4**

**Drawer Footprint - 21-1/4" D x 32-1/4" W x 12-3/16" H**

**Inner Drawer - 18-1/8" D x 30-3/8" W**

*add -LK for drawer lock (\$80)*

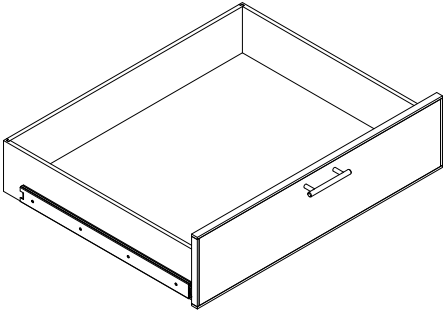




**MK-WT-3672SC-36-14DW**

List Price - \$253

Table Size - 36" W x 72" L x 36" H  
 Storage Cabinet Proportions - 1/4  
 Drawer Footprint - 27-1/4" D x 32-1/4" W x 4" H  
 Inner Drawer - 24-1/8" D x 30-3/8" W

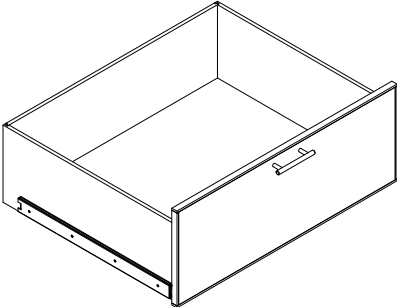


**MK-WT-3672SC-36-24DW**

List Price - \$341

Table Size - 36" W x 72" L x 36" H  
 Storage Cabinet Proportions - 2/4  
 Drawer Footprint - 27-1/4" D x 32-1/4" W x 8-1/8" H  
 Inner Drawer - 24-1/8" D x 30-3/8" W

*add -LK for drawer lock (\$80)*

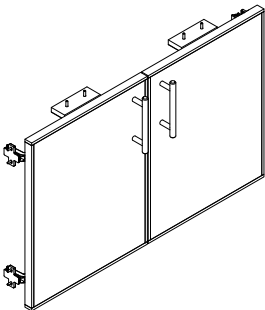


**MK-WT-3672SC-36-34DW**

List Price - \$445

Table Size - 36" W x 72" L x 36" H  
 Storage Cabinet Proportions - 3/4  
 Drawer Footprint - 27-1/4" D x 32-1/4" W x 12-3/16" H  
 Inner Drawer - 24-1/8" D x 30-3/8" W

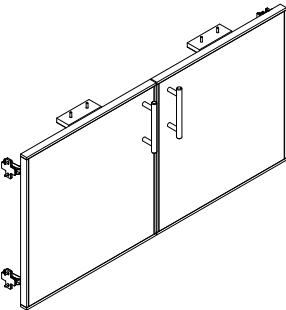
*add -LK for drawer lock (\$80)*



**MK-WT-6036SC-DR**

List Price - \$208

Table Size - 60" L x 36" H  
*add -LK for door lock (\$80)*



**MK-WT-7236SC-DR**

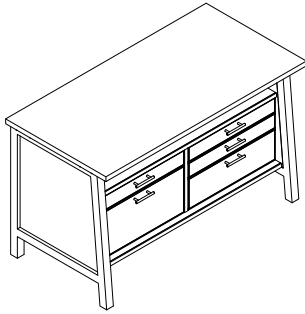
List Price - \$227

Table Size - 72" L x 36" H  
*add -LK for door lock (\$80)*

## Maker

### Storage Cabinet | Popular Items

The following products are **popular and frequently ordered items**. The catalog number, description, actual footprint, and list prices are all provided. The items can be used exactly as-is, as a starting point for budgetary purposes, or simply as examples. Contact project management for any further information.



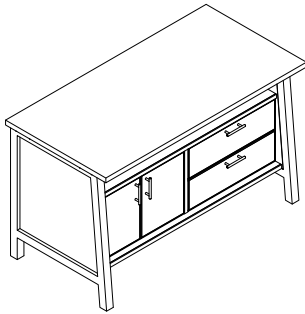
#### MK-PC01

List Price - \$4,345

Table Size - 30" W x 60" L x 36" H

Left - 14/34

Right - 14/14/24



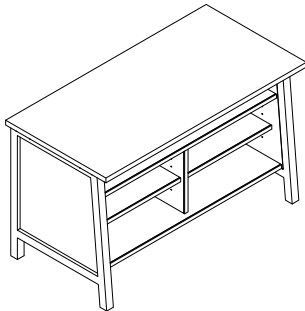
#### MK-PC02

List Price - \$3,790

Table Size - 30" W x 60" L x 36" H

Doors - MK-WT-6036SC-DR

Right - 24/24

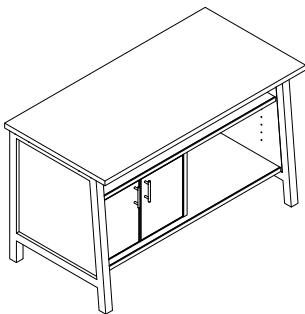


#### MK-PC03

List Price - \$3,168

Table Size - 30" W x 60" L x 36" H

Adjustable Shelves - MK-WT-3060SC-AS

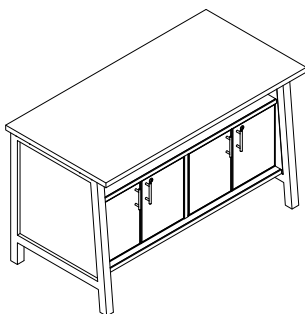


#### MK-PC04

List Price - \$3,178

Table Size - 30" W x 60" L x 36" H

Doors - MK-WT-6036SC-DR



#### MK-PC05

List Price - \$3,386

Table Size - 30" W x 60" L x 36" H

Doors - MK-WT-6036SC-DR



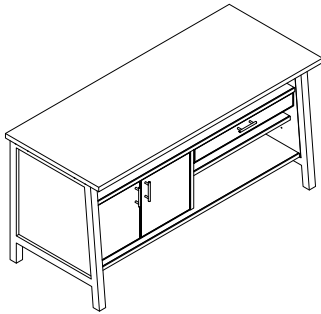
**MK-PC06**

List Price - \$4,904

Table Size - 30" W x 72" L x 36" H

Left - 14/34

Right - 14/14/24



**MK-PC07**

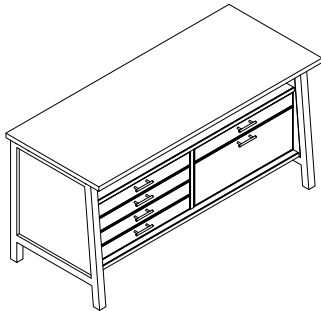
List Price - \$3,854

Table Size - 30" W x 72" L x 36" H

Adjustable Shelves - MK-WT-3072SC-AS

Doors - MK-WT-7236SC-DR

Right - 14



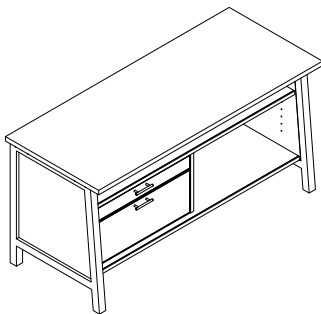
**MK-PC08**

List Price - \$4,925

Table Size - 30" W x 72" L x 36" H

Left - 14/14/14/14

Right - 14/34

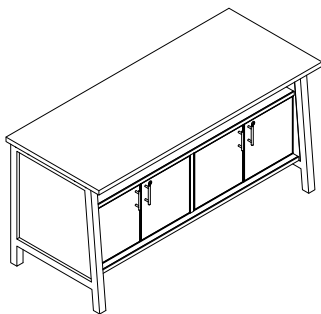


**MK-PC09**

List Price - \$3,945

Table Size - 30" W x 72" L x 36" H

Left - 14/34



**MK-PC10**

List Price - \$3,714

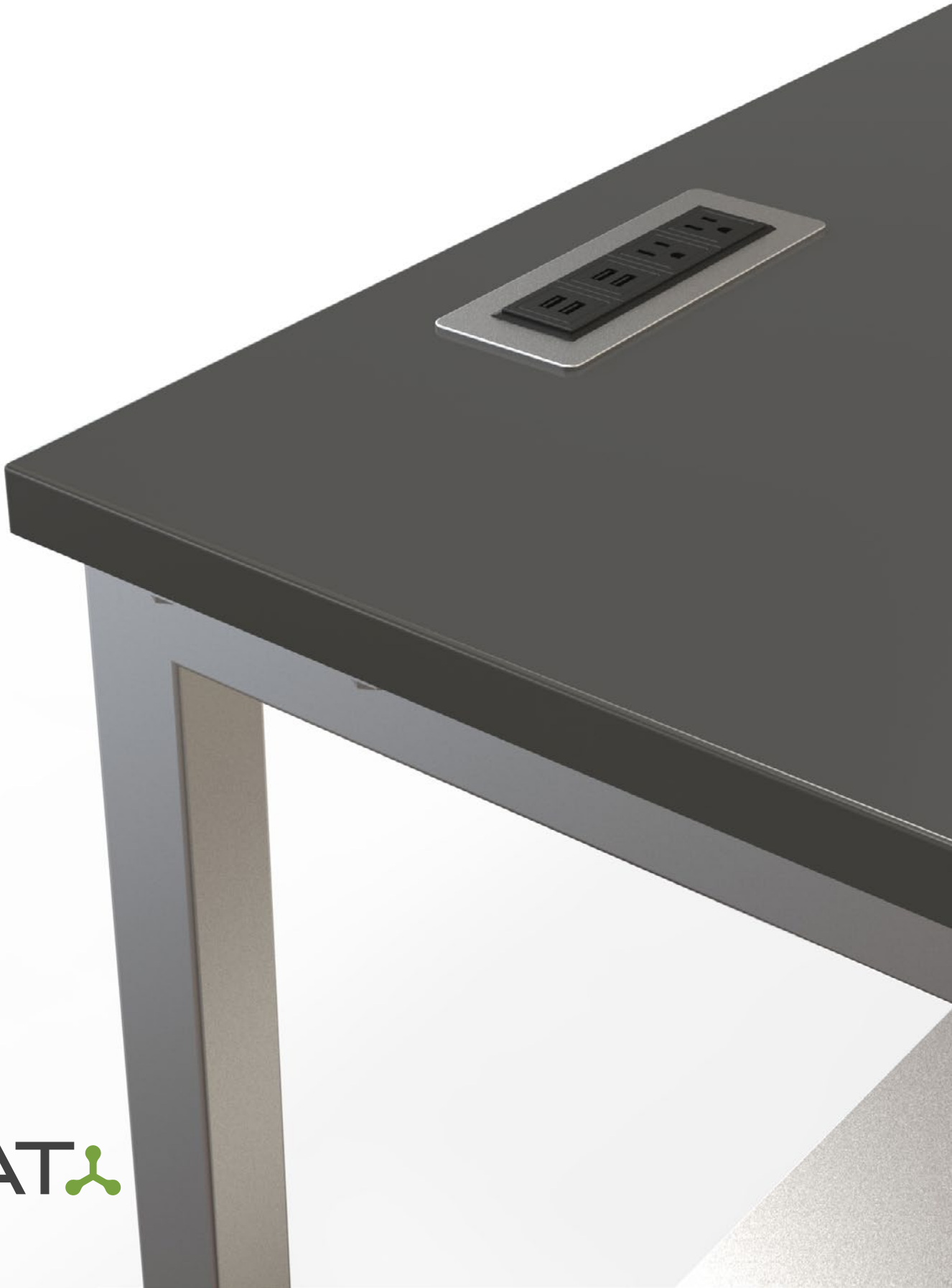
Table Size - 30" W x 72" L x 36" H

Doors - MK-WT-7236SC-DR



# Accessories

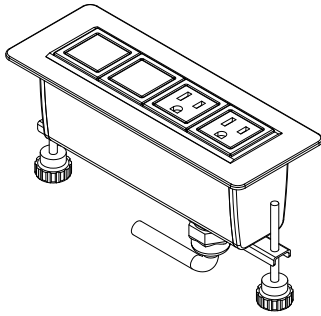
*Customize each table to fit your needs*



## Maker Accessories

### Built-In Power & Data

The following products are **popular and frequently ordered built-in power & data accessories**, and the unit it goes with **must have a power cutout** in it. The catalog number, description, specifications, color options, and list prices are all provided. Contact project management for any further information.



#### LA-AXZ4-202-C120

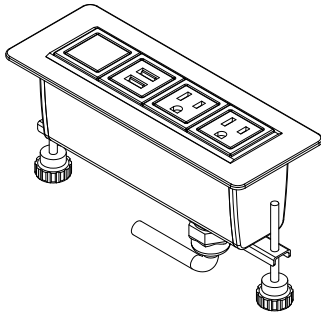
*Axil Z (Flat Mount)*

**Power/Data Configuration** - 2 Power; 2 Open Data

**Power Supply** - 120" Cord

**Finish Options** - Gloss White (-W); Gloss Black (-B); Gloss Silver (-S)

**List Price - \$308**



#### LA-AXZ4-211-C120

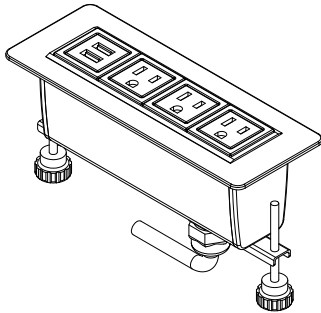
*Axil Z (Flat Mount)*

**Power/Data Configuration** - 2 Power; 1 USB; 1 Open Data

**Power Supply** - 120" Cord

**Finish Options** - Gloss White (-W); Gloss Black (-B); Gloss Silver (-S)

**List Price - \$387**



#### LA-AXZ4-310-C120

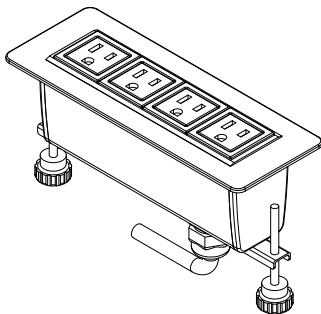
*Axil Z (Flat Mount)*

**Power/Data Configuration** - 3 Power; 1 USB

**Power Supply** - 120" Cord

**Finish Options** - Gloss White (-W); Gloss Black (-B); Gloss Silver (-S)

**List Price - \$403**



#### LA-AXZ4-400-C120

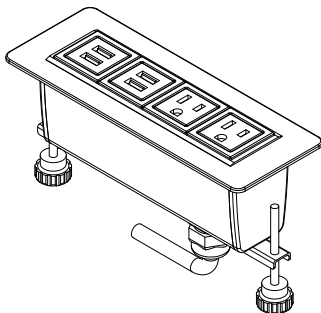
*Axil Z (Flat Mount)*

**Power/Data Configuration** - 4 Power

**Power Supply** - 120" Cord

**Finish Options** - Gloss White (-W); Gloss Black (-B); Gloss Silver (-S)

**List Price - \$414**



#### LA-AXZ4-220-C120

*Axil Z (Flat Mount)*

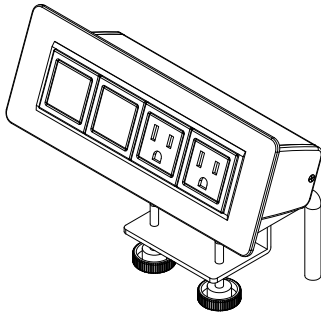
**Power/Data Configuration** - 2 Power; 2 USB

**Power Supply** - 120" Cord

**Finish Options** - Gloss White (-W); Gloss Black (-B); Gloss Silver (-S)

**List Price - \$465**

The following products are **popular and frequently ordered add-on power & data accessories**. The catalog number, description, specifications, color options, and list prices are all provided. Contact project management for any further information.



**LA-AXX4-202-C120**

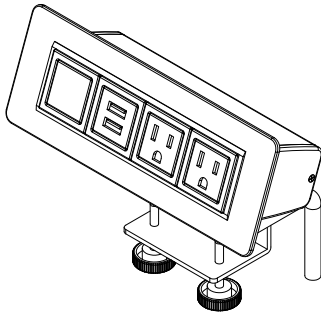
**List Price - \$308**

*Axil X (Edge Mount)*

**Power/Data Configuration** - 2 Power; 2 Open Data

**Power Supply** - 120" Cord

**Finish Options** - Gloss White (-W); Gloss Black (-B); Gloss Silver (-S)



**LA-AXX4-211-C120**

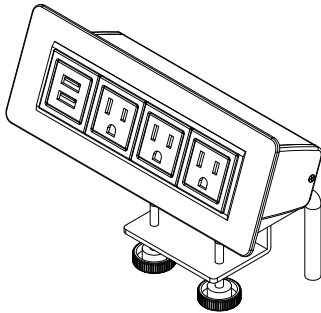
**List Price - \$387**

*Axil X (Edge Mount)*

**Power/Data Configuration** - 2 Power; 1 USB; 1 Open Data

**Power Supply** - 120" Cord

**Finish Options** - Gloss White (-W); Gloss Black (-B); Gloss Silver (-S)



**LA-AXX4-310-C120**

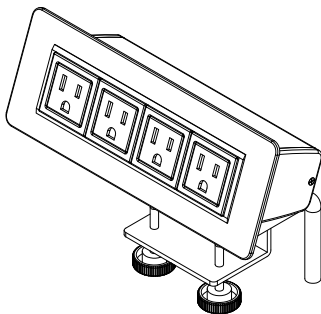
**List Price - \$403**

*Axil X (Edge Mount)*

**Power/Data Configuration** - 3 Power; 1 USB

**Power Supply** - 120" Cord

**Finish Options** - Gloss White (-W); Gloss Black (-B); Gloss Silver (-S)



**LA-AXX4-400-C120**

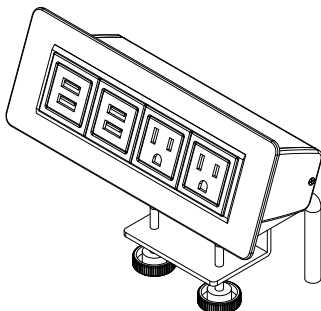
**List Price - \$414**

*Axil X (Edge Mount)*

**Power/Data Configuration** - 4 Power

**Power Supply** - 120" Cord

**Finish Options** - Gloss White (-W); Gloss Black (-B); Gloss Silver (-S)



**LA-AXX4-220-C120**

**List Price - \$465**

*Axil X (Edge Mount)*

**Power/Data Configuration** - 2 Power; 2 USB

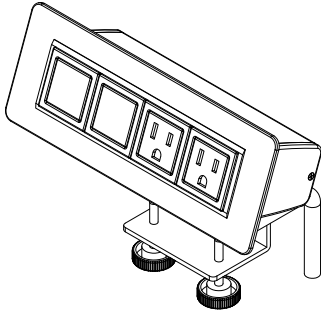
**Power Supply** - 120" Cord

**Finish Options** - Gloss White (-W); Gloss Black (-B); Gloss Silver (-S)

## Maker Accessories

### Add-On Power & Data

The following products are **popular and frequently ordered add-on power & data accessories**. The catalog number, description, specifications, color options, and list prices are all provided. Contact project management for any further information.



#### LA-AXX4-202-C120

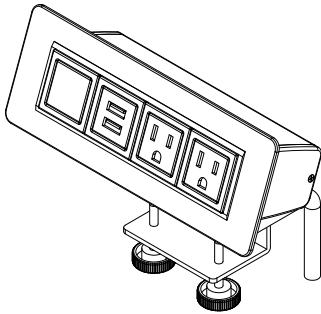
List Price - \$308

*Axil X (Edge Mount)*

**Power/Data Configuration** - 2 Power; 2 Open Data

**Power Supply** - 120" Cord

**Finish Options** - Gloss White (-W); Gloss Black (-B); Gloss Silver (-S)



#### LA-AXX4-211-C120

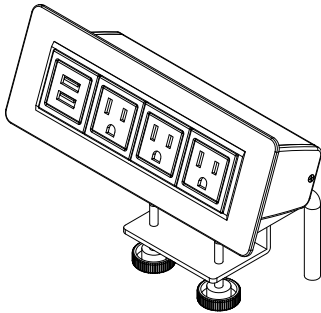
List Price - \$387

*Axil X (Edge Mount)*

**Power/Data Configuration** - 2 Power; 1 USB; 1 Open Data

**Power Supply** - 120" Cord

**Finish Options** - Gloss White (-W); Gloss Black (-B); Gloss Silver (-S)



#### LA-AXX4-310-C120

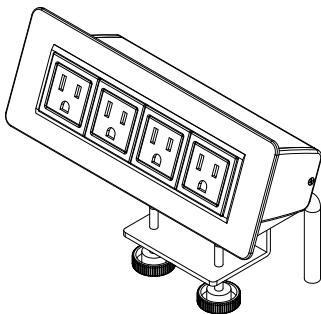
List Price - \$403

*Axil X (Edge Mount)*

**Power/Data Configuration** - 3 Power; 1 USB

**Power Supply** - 120" Cord

**Finish Options** - Gloss White (-W); Gloss Black (-B); Gloss Silver (-S)



#### LA-AXX4-400-C120

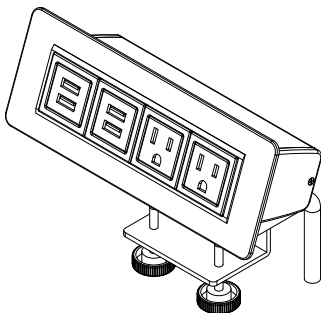
List Price - \$414

*Axil X (Edge Mount)*

**Power/Data Configuration** - 4 Power

**Power Supply** - 120" Cord

**Finish Options** - Gloss White (-W); Gloss Black (-B); Gloss Silver (-S)



#### LA-AXX4-220-C120

List Price - \$465

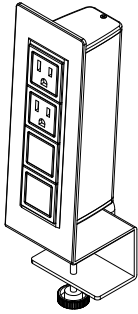
*Axil X (Edge Mount)*

**Power/Data Configuration** - 2 Power; 2 USB

**Power Supply** - 120" Cord

**Finish Options** - Gloss White (-W); Gloss Black (-B); Gloss Silver (-S)





**LA-AXY4-202-C120**

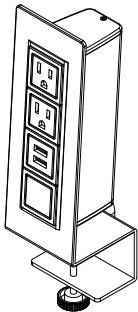
**List Price - \$308**

*Axil Y (Edge Mount)*

**Power/Data Configuration** - 2 Power; 2 Open Data

**Power Supply** - 120" Cord

**Finish Options** - Gloss White (-W); Gloss Black (-B); Gloss Silver (-S)



**LA-AXY4-211-C120**

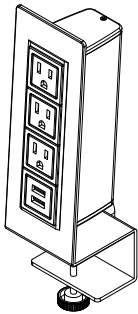
**List Price - \$387**

*Axil Y (Edge Mount)*

**Power/Data Configuration** - 2 Power; 1 USB; 1 Open Data

**Power Supply** - 120" Cord

**Finish Options** - Gloss White (-W); Gloss Black (-B); Gloss Silver (-S)



**LA-AXY4-310-C120**

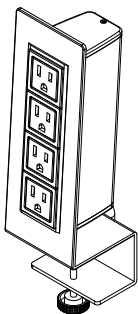
**List Price - \$403**

*Axil Y (Edge Mount)*

**Power/Data Configuration** - 3 Power; 1 USB

**Power Supply** - 120" Cord

**Finish Options** - Gloss White (-W); Gloss Black (-B); Gloss Silver (-S)



**LA-AXY4-400-C120**

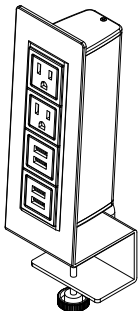
**List Price - \$414**

*Axil Y (Edge Mount)*

**Power/Data Configuration** - 4 Power

**Power Supply** - 120" Cord

**Finish Options** - Gloss White (-W); Gloss Black (-B); Gloss Silver (-S)



**LA-AXY4-220-C120**

**List Price - \$465**

*Axil Y (Edge Mount)*

**Power/Data Configuration** - 2 Power; 2 USB

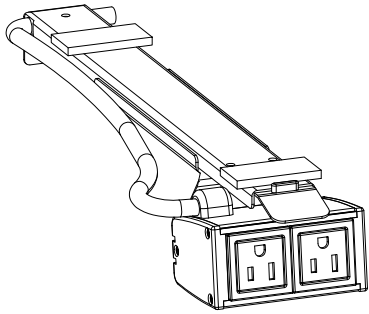
**Power Supply** - 120" Cord

**Finish Options** - Gloss White (-W); Gloss Black (-B); Gloss Silver (-S)

## Maker Accessories

### Add-On Power & Data

The following products are **popular and frequently ordered add-on power & data accessories**. The catalog number, description, specifications, color options, and list prices are all provided. Contact project management for any further information.



#### LA-ASR2-200-C120

*Assemble Reveal (Under Surface)*

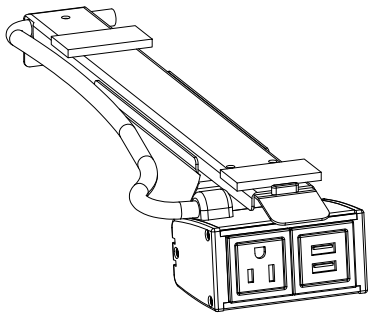
**Power/Data Configuration** - 2 Power

**Power Supply** - 120" Cord

**Finish** - Silver Aluminum

**Trim Color Options** - White (-WT); Black (-BT); Silver (-ST)

**List Price - \$335**



#### LA-ASR2-110-C120

*Assemble Reveal (Under Surface)*

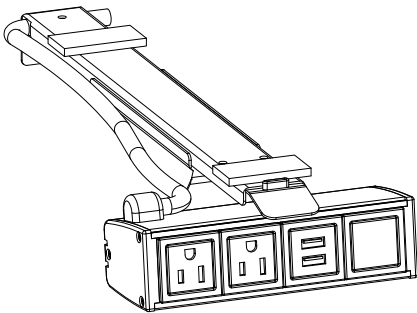
**Power/Data Configuration** - 1 Power; 1 USB

**Power Supply** - 120" Cord

**Finish** - Silver Aluminum

**Trim Color Options** - White (-WT); Black (-BT); Silver (-ST)

**List Price - \$400**



#### LA-ASR4-211-C120

*Assemble Reveal (Under Surface)*

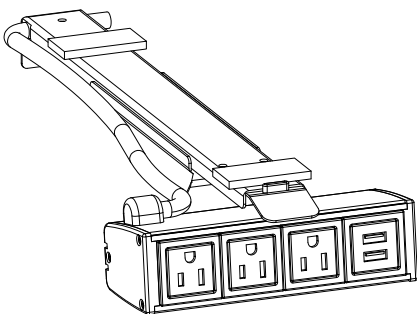
**Power/Data Configuration** - 2 Power; 1 USB; 1 Open Data

**Power Supply** - 120" Cord

**Finish** - Silver Aluminum

**Trim Color Options** - White (-WT); Black (-BT); Silver (-ST)

**List Price - \$424**



#### LA-ASR4-310-C120

*Assemble Reveal (Under Surface)*

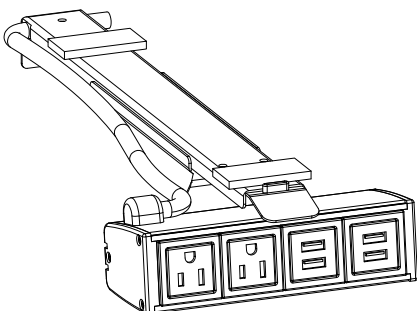
**Power/Data Configuration** - 3 Power; 1 USB

**Power Supply** - 120" Cord

**Finish** - Silver Aluminum

**Trim Color Options** - White (-WT); Black (-BT); Silver (-ST)

**List Price - \$441**



#### LA-ASR4-220-C120

*Assemble Reveal (Under Surface)*

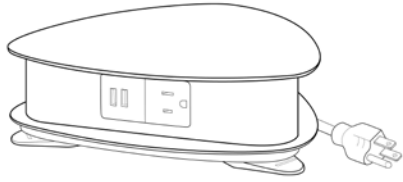
**Power/Data Configuration** - 2 Power; 2 USB

**Power Supply** - 120" Cord

**Finish** - Silver Aluminum

**Trim Color Options** - White (-WT); Black (-BT); Silver (-ST)

**List Price - \$502**



**LA-DRI6-330-C108**

*Drifter (Free Standing - Table Top)*

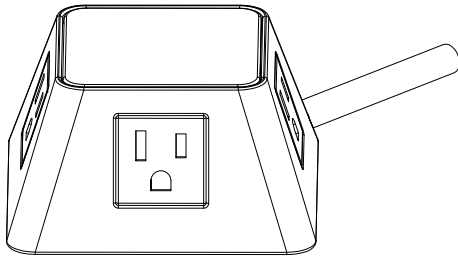
**List Price - \$707**

**Power/Data Configuration** - 3 Power; 3 USB

**Power Supply** - 108" Cord

**Finish Options** - Gloss White (-GW); Gloss Black (-GB); Silver Pearl (-S)

**Size** - 10"W x 10"L x 2-7/8"H



**LA-MOT4-400-C120**

*Moire (Free Standing - Table Top)*

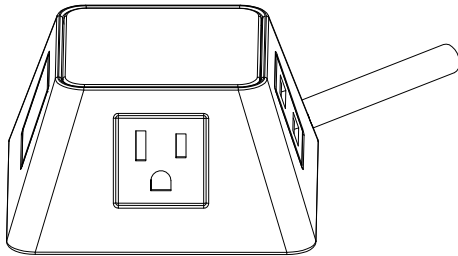
**List Price - \$257**

**Power/Data Configuration** - 4 Power

**Power Supply** - 120" Cord

**Finish Options** - Gloss White (-W); Gloss Black (-B)

**Size** - 3-7/8"W x 3-7/8"L x 2"H



**LA-MOT4-21B-C120**

*Moire (Free Standing - Table Top)*

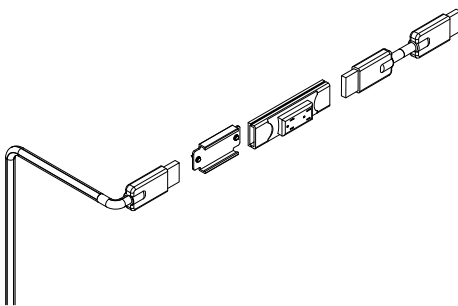
**List Price - \$284**

**Power/Data Configuration** - 2 Power; 1 USB; 1 Blank

**Power Supply** - 120" Cord

**Finish Options** - Gloss White (-W); Gloss Black (-B)

**Size** - 3-7/8"W x 3-7/8"L x 2"H



**4TRAC**

**Contact Project Management for Configuration & Pricing**

*4-Trac Power Supply System*

**Power System** - 4 wires; 2 circuits; 20 Amps each

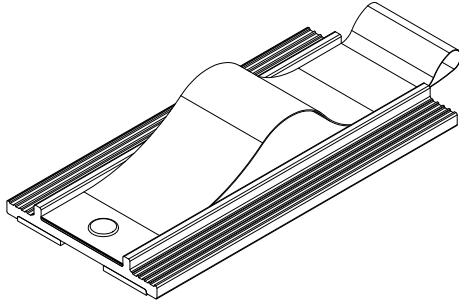
**Power Supply** - Cord and hardwire power options available

**Power Output** - Allows up to 26 duplex receptacles (13 per circuit)

## Maker Accessories

### Add-On Wire Management

The following products are **popular and frequently ordered add-on wire management accessories**. The catalog number, description, specifications, color options, and list prices are all provided. Contact project management for any further information.



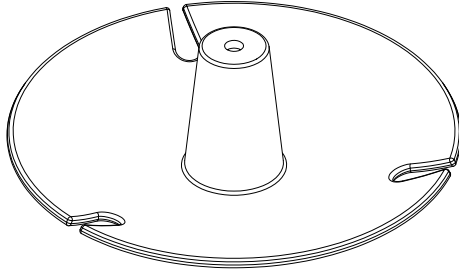
#### **LA-WM7**

*VELCRO Wire Management Guide*

**Size** - 1-3/4" x 3-1/2"

**Color** - Black

**List Price - \$13**



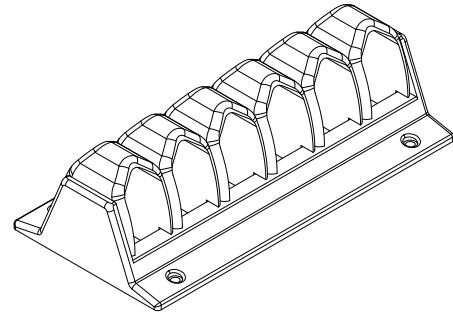
#### **LA-WM24-90M**

*Under Counter Sombrero Cable Wrap*

**Size** - 1-17/32"T x 4"Dia

**Color** - Black

**List Price - \$20**



#### **LA-WM23B-90**

*Cable Management Flexible Loop Guide*

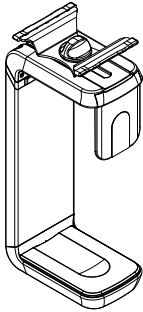
**Size** - 1-5/8"T x 2-19/32"W x 3-5/8"L

**Color** - Black

**List Price - \$45**



The following products are **popular and frequently ordered monitor arm & CPU holder accessories**. The catalog number, description, specifications, color options, and list prices are all provided. Contact project management for any further information.



**LA-CPU600**

*Vertical Hanging CPU Holder (Fixed Mount)*

**List Price - \$196**

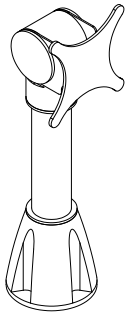
**Size Adjustments** - Fits CPUs 3.6" - 9" wide by 12" - 120" high

**Track Length** - 16"

**Maximum CPU weight** - 30 pounds

**Rotation** - 360°

**Colors** - White/Brushed Aluminum (-W); Black/Brushed Aluminum (-B)



**LA-9189**

*POS Through-Counter Mount*

**List Price - \$354**

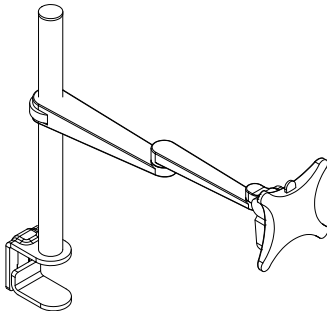
**Installation** - Tube passes through counter and has internal cable routing

**Adjusting** - Quickly adjust monitor height from 7" - 12", Pivot, turn, or lock

*Supports monitors up to 25 pounds*

**Color** - Dark Grey

*Supports monitors, signature capture devices, kiosks and more*



**LA-5800-S-14-DC**

*EVO Pole Arm*

**List Price - \$541**

**Rotation** - 360° at two joints; 180° at base

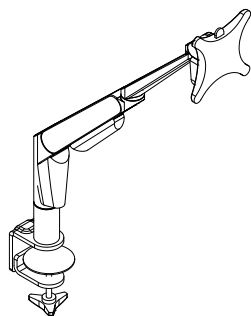
**Monitor Tilt** - 90° up & 20° down; Landscape/Portrait Pivot

**Monitor Compatibility** - VESA 75mm and 100mm

**Monitor Weight** - Up to 20 pounds (9.0 kg)

**Mounting Options** - Desk Edge; Grommet; Thru-Desk

**Colors** - Silver Powder Coat (-124); Vista Black Powder Coat (-104)



**LA-5700-DC-SPM**

*EVO LCD Arm*

**List Price - \$639**

**Rotation** - 360° at two joints; 180° at base

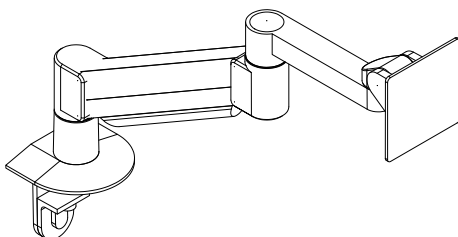
**Monitor Tilt** - 90° up & 20° down; Landscape/Portrait Pivot

**Monitor Compatibility** - VESA 75mm and 100mm

**Monitor Weight** - 7 - 20 pounds (3.2 - 9.0 kg)

**Mounting Options** - Desk Edge; Grommet; Thru-Desk

**Colors** - Silver Powder Coat (-124); Vista Black Powder Coat (-104)



**LA-7000**

*Flexible Flat Panel Radial Arm*

**List Price - \$780**

**Rotation** - 360° at three joints

**Monitor Tilt** - 180° down from center; Landscape/Portrait Pivot

**Monitor Compatibility** - VESA 75mm and 100mm

**Monitor Weight** - 2 - 13 pounds (0.9 - 5.9 kg)

**Mounting Options** - Desk Edge; Grommet; Thru-Desk

**Colors** - Silver (-124); Linen White (-232); Vista Black (-104)

# Terms and Conditions

## Maker Terms and Conditions

The following terms & conditions apply to all LIAT, LLC products.

**1. ACCEPTANCE, MODIFICATION, ASSIGNMENT:** By placing this order for furniture, material or other products (sometimes collectively referred to as "Goods"), Customer agrees to these Terms and Conditions which shall prevail over inconsistent provisions in any other form or document of Customer. No change or modification shall be applicable unless set forth in writing and signed by Company. Neither this order nor any interest therein shall be assigned by Customer except with the prior written consent of Company.

**2. PRICING:** LIAT, LLC assumes no responsibility for the quantities or the interpretation of competitive product. Pricing is based on standard LIAT furniture including standard construction, materials, finishes and sizes. Unit prices shall prevail. Pricing subject to change without notice. Prices are those in effect at the time of order entry.

**3. PAYMENT:** Customer agrees to pay deposit or down payment as required by Company. Customer agrees to pay to Company the amount indicated on the Invoice, 1% 15 days, net 30 days from date of Invoice (U.S. Funds only), for Goods ordered. **INTEREST WILL BE CHARGED AFTER 30 DAYS FROM THE DATE OF INVOICE AT THE RATE OF ONE AND A HALF PERCENT (1.5%) PER MONTH.** International sales will require additional payment arrangements. No Goods shall be sold on consignment or conditional sales basis. Payment for the Goods delivered hereunder shall constitute acceptance thereof.

**4. DELIVERY:** The specific terms of delivery are as stated on the sales order acknowledgment. Goods which are delivered in advance of schedule are delivered at the risk of Customer. The Company is not liable for delays or failure to ship due to fire, strike, act of God, the public enemy or other causes beyond the control of the Company. With respect to LIAT, LLC, all shipments which are F.O.B. Factory or Delivered, LIAT, LLC reserves the right to select the appropriate carrier. Special requests including, but not limited to, inside delivery, installation, and call before delivery are not included in the price. Any charges arising from failure to meet shipment, rerouting while in transit, or carrier storage charges are the responsibility of the Customer.

\*LIAT product is shipped knocked down. Assembly in the field is required.

**5. CARE AND MAINTENANCE:** To maintain your LIAT product for years of use, please follow these care and maintenance guidelines:

**Wood Care and Maintenance:** Use a damp, lint free cotton cloth for general dusting. Work with the grain of the wood.

**Laminate Tops:** Laminates may be cleaned using a damp cloth and mild soap.

**Marmoleum Tops:** Marmoleum can be maintained by dry or wet maintenance systems. For detailed product specifications or maintenance information, contact Forbo Industries Support Services at 1-800-842-7839 or visit their website [www.forbo-industries.com](http://www.forbo-industries.com).

**Metal Finishes:** Mix a solution of liquid soap and warm water. Saturate a clean cloth with this mixture. Wipe down metal then dry completely.

**Acrylic Products:** Use only products specifically recommended for cleaning acrylic, or a mild solution of dish detergent and warm water. Do **NOT** use any cleaner containing ammonia to clean your acrylic products. Do **NOT** use a dry cloth or your hand to clean the acrylic - this will rub the dirt and dust into the acrylic and can scratch the surface.

**Fabric Care:** The ability to be cleaned will vary based on the type of fabric. For best results, a professional service is recommended. Dirt and crumbs may be gently brushed or vacuumed off. Spill should be wiped up immediately with a cloth. If upholstery has been protected with Scotchgard or Zepel, the coating should be re-applied yearly. Vinyl textiles can be cleaned with warm soapy water and then wiped down with a warm damp cloth.

**6. CLAIMS.** All shipments are delivered to the carrier in good condition and

Company's liability ceases after acceptance by carrier. If shipment arrives short or damaged, the Customer must file a claim immediately with the carrier. In the event of concealed damage, notify carrier and request an immediate inspection. Keep all cartons and packing material. Failure to file claim within 15 days after receipt of Goods constitutes acceptance and a waiver of any such claims

**7. DISCLAIMER OF WARRANTIES:** The express warranties below are the Company's sole warranties of its Goods, there are no understandings, agreements, representations, or warranties, express or implied (including any regarding the merchantability or fitness for a particular purpose), not specified herein, respecting the Goods. Except for those obligations of the Company identified in these Terms and Conditions, all risks related to the quality and performance of the Goods and responsibility for repair or service costs rests solely on the Customer. Company reserves the right to limit the applicable warranty to the Goods depending upon the division or catalogue through which said Goods were sold. Some states do not allow limitations on implied warranties, limitations on how long an implied warranty lasts, or the exclusion or limitation of incidental or consequential damages, so the above limitations may not apply to all Customers. This warranty gives the Customer specific legal rights, and each Customer may also have other rights which vary from state to state.

**8. EXPRESS WARRANTIES:** The express warranties of the Company are as follows:

LIAT, LLC

LIAT, LLC WARRANTS TO THE ORIGINAL PURCHASER THAT EACH CASEGOOD WILL BE FREE FROM DEFECTS IN WORKMANSHIP GIVEN NORMAL USE FOR A PERIOD OF TWENTY (20) YEARS OF SINGLE SHIFT SERVICE. LIAT WARRANTS THEIR SEATING PRODUCTS TO THE ORIGINAL PURCHASER THAT EACH PIECE OF FURNITURE WILL BE FREE FROM DEFECTS GIVEN NORMAL USE FOR FIVE (5) YEARS. LIAT, LLC WILL, AT ITS OPTION, REPAIR OR REPLACE ANY DEFECTIVE FURNITURE WITHIN THE TERMS OF THE WARRANTY. THIS WARRANTY DOES NOT APPLY TO DAMAGE RESULTING FROM ACCIDENT, ALTERATION, OR MISUSE. ALL LIAT ELECTRICAL COMPONENTS AND ACCESSORIES ARE WARRANTED TO THE EXTENT OF THE ORIGINAL MANUFACTURER.

**Goods other than furniture are sold by Company to Customer without warranty.**

**9. ATTORNEYS' FEES:** Customer shall be responsible for all expenses and costs in connection with the enforcement by Company of these Terms and Conditions and the costs of collection (including the fees of any collection agencies to whom the Customer's account may be referred), plus reasonable attorneys' fees (which attorneys' fees shall not be less than 25% of the amount due, unless a lower amount is specified by applicable law).

**10. CANCELLATION:** All cancellations must be made in writing. Administrative and/or labor charges may be incurred by the Customer depending upon the production stage of the order. Orders specifying special finish cannot be cancelled once finishing has begun. Cancellations cannot be accepted once final production has begun.

**11. ORDER CHANGES:** All changes to an order must be made in writing and are subject to Company's ability to conform. Administrative and/or labor charges may be incurred by the Customer depending upon the production stage of the order. Once final production has begun, no changes can be accepted.

**12. REMEDIES:** The remedies herein reserved shall be cumulative, and additional to any other or further remedies provided in law or equity. No waiver of a breach of any provision of these Terms and Conditions shall constitute waiver of any other breach or of such provision.

**13. INSOLVENCY:** Company may forthwith cancel this order in the event of the happening of any of the following or any other comparable event: insolvency of the Customer, the filing of a voluntary petition in bankruptcy, the filing of any involuntary petition to have Customer declared bankrupt provided it is not vacated within thirty (30) days from the date of filing, the appointment of a receiver or trustee for Customer provided such appointment is not vacated within thirty (30) days from the date of such appointment, or the execution by Customer of an assignment for the benefit of creditors.

**14. LIMITATION OF LIABILITY:** The Company shall not under any circumstances be liable to the Customer, owner of the Goods or any third party for special, indirect, incidental, or consequential damages, including, without limitation, loss of profits or revenues, loss or damage to other property or equipment, cost of capital or of purchased or replacement goods, or expense, delay or inconvenience caused by or arising from the purchase, sale, use, repair or inability to use the Goods or by any performance or non-performance under, or breach of, these Terms and Conditions. The Company's sole liability for any defective Goods shall be its repair or its replacement pursuant to the Express Warranties set forth above, or if amended, as applicable at the time of manufacture or repair of the Goods. Some states do not allow the exclusion or limitation of incidental or consequential damages, so the above limitations or exclusion may not apply to all Customers. Any action resulting from any breach on the part of Company as to the Goods or services delivered hereunder must be commenced within one year after the cause of action has occurred.

**15. RETURNS AND ALLOWANCES:** Reasonable touch-up and deluxing is the dealer's responsibility. The Company will not make allowances for trip or delivery charges, but will only make allowance for actual work performed to correct manufacturing defects. Allowances may be authorized only by a Company officer. It is the responsibility of the field sales representatives to inspect any defective merchandise and make suggestions and recommendations as to the proper disposition. Field personnel cannot obligate or bind the Company by definite agreement, without final authorization by a Company officer. Company will not accept automatic charge backs which do not have prior authorization. All defects must be called to the Company's attention upon arrival at the Customer's "Ship To" destination. To initiate any type of claim or request for parts, it is imperative to have the model number or fabric number, which may be located on the tag attached to the frame of the unit. Authorization for return to the Company for any reason must be issued by the Company via a Return Goods Authorization. Any authorized returns not due to damage or defect will be assessed a 30% restocking charge and all return freight charges must be prepaid. Company will not issue credit allowances for any repairs without Company's prior consent. Under no circumstances shall the Company accept COD (Cash on Delivery) returns, and any such shipment will be refused.

**16. SECURITY AGREEMENT:** The Company may require and Customer shall grant a security interest in Goods sold pursuant to any credit the Company may extend to the Customer.

**17. GOVERNING LAW:** All disputes between the parties, whether or not arising out of these Terms and Conditions, will be governed by the laws of the State of North Carolina. Customer agrees to submit to the jurisdiction of and agrees all lawsuits relating to any disputes between the Customer and the Company will be brought only in a state court located in Dubois County, North Carolina or the United States District Court for the Southern District of

North Carolina. THE CUSTOMER HEREBY WAIVES THE RIGHT TO A TRIAL BY JURY IN ANY ACTION, PROCEEDING, CLAIM, OR COUNTERCLAIM WHETHER IN CONTRACT OR TORT, AT LAW OR IN EQUITY, ARISING OUT OF OR RELATING IN ANY WAY TO THESE TERMS AND CONDITIONS AND ALL OTHER DISPUTES BETWEEN THE PARTIES.

**18. MITIGATION:** If the Company repossesses the Goods prior to payment by the Customer of all amounts due hereunder, the Company may sell the Goods, AS IS, WHERE IS, free and clear of all rights of the Customer at either public or private sale, and apply the net proceeds (after deducting expenses of repossession and sale) to the obligation of Customer hereunder. The Customer shall remain liable for any deficiency. THE COMPANY MAY DISPOSE OF THE GOODS IN ANY COMMERCIALY REASONABLE PLACE AND MANNER AND THE CUSTOMER WAIVES ANY NOTICE OF TIME, PLACE AND MANNER OF SALE.

**19. INTEGRATION:** This order for Goods, including these Terms and Conditions, along with any Credit Application, Invoice, Statement, Dealer Contract, Acknowledgment, Bill of Lading (and any exhibits, addenda or amendments thereto) of which this order may be a part, constitutes the sole and complete agreement between the Company and the Customer with respect to the purchase of the Goods.

**20. DIMENSIONS/SPECIFICATIONS/FINISHES:** All dimensions are approximate and may vary due to the upholstery technique of each craftsman. If exact dimensions are required, it is necessary for the Customer to state such specifications with the order. Detailed specification sheets are available for each series of Goods, and Customer should consult the Company's Customer Service Department for these specification sheets. Company reserves the right to make changes in dimensions, style, or specifications if Company believes these changes will improve the Goods' quality or appearance. Company reserves the right to substitute hardwoods due to availability at production. Due to the natural characteristics of wood, environmental effects, and material upgrades, the Company cannot guarantee exact finish matches on existing Goods previously ordered from Company. If an exact match to Customer's existing Goods are required, it must be specified so that the proper procedures can be followed to ensure an acceptable finish. Company will accept no liability for the finish if this procedure is not followed. Company reserves the right to make changes in a finish formula if Company believes the change will improve the quality or appearance of Company's Goods.

**21. ACKNOWLEDGEMENT:** All orders will be acknowledged promptly, showing how the order was entered, the approximate shipping time and other pertinent information. It is the Customer's obligation to examine this acknowledgment carefully and notify Company immediately of any discrepancies. Every reasonable effort is made to ship as acknowledged, however, the acknowledged ship date is approximate. Company will generally ship within five (5) working days of the acknowledged ship date. If a firm ship date is necessary, Customer must inform Company at time of order and Company will make all reasonable efforts to meet each Customer's request. Acknowledged shipping dates are contingent upon the force majeure conditions contained in these Terms and Conditions.

**22. COMPANY'S PERFORMANCE OF ITS OBLIGATIONS:** The production and delivery of the Goods to the extent delayed or hindered or prevented from the performance by reason of natural disasters, acts of God, strikes, lockouts, labor troubles, inability to procure materials, casualties, failure of power, restrictive governmental laws or regulations, riots, insurrection, acts of terrorism, war or other reason of a like nature not the fault of the Company shall excuse for the period of the delay the Company's performance and the period for the performance shall be extended for a period equivalent to the period of such delay.

## GSA Terms and Conditions

Contractor: LIAT LLC, dba Jasper Library Furniture  
Business Size: Small Business  
Cage Code: 6BHB5  
Contract Number: GS-28F-004AA  
Contract Period: 10/10/12 thru 10/09/17

694 North Main Street  
Troutman, NC 28166  
Phone: 888.440.8205  
Fax: 704.528.6519  
Web Site: [www.liatfurniture.com](http://www.liatfurniture.com)  
E-mail: [blish@liatfurniture.com](mailto:blish@liatfurniture.com)  
Contract Administration: Brian Lish

- 1a. Item Description: Furniture Systems and Workstation Clusters Special Item Numbers (SIN) Awarded: SIN 71-305 Library Furniture
2. Maximum Order: \$100,000.00 net
3. Minimum Order: \$100.00 net
4. Geographic Coverage: 48 Contiguous States, including the District of Columbia, Alaska, Hawaii, and Puerto Rico.
5. Point of Production: Same as company address
6. Discount: 58.5% off of list price (inclusive of IFF)
7. Quantity Discounts: None
8. Prompt Payment Terms: 1% discount for payments received in less than 20 days.
- 9a. Government Commercial Credit Card: Government commercial credit cards (Visa & MC) are not accepted.
- 9b. Discount for Government Credit Card: N/A
10. Foreign Items: None
- 11a. Time of Delivery: 6 to 8 weeks.
- 11b. Expedited Delivery: Negotiated on an order by order basis.
- 11c. Overnight and 2-Day Delivery: Contact contractor for availability and additional shipping charges.
- 11d. Urgent Requirements: Available upon request.
12. F.O.B Point: Destination



- 13a. Ordering Address: Same as Contractor
14. Payment Address: Same as company address.
15. Warranty Provisions: LIAT warrants their casegoods to the original purchaser that each piece of furniture will be free from defects in workmanship given normal use for a period of twenty years. LIAT will, at its option, repair or replace any defective merchandise within the terms of the warranty. LIAT warrants their seating products to the original purchaser that each piece of furniture will be free from defects in workmanship given normal use for five years. The casegoods and seating warranties do not apply to damage resulting from accident, alteration, or misuse. All LIAT electrical components and accessories are warranted to the extent of the original manufacturer.
16. Export Packing Charges: N/A
17. Terms and Conditions of Government Commercial Credit Card Acceptance: N/A
18. Terms and Conditions of rental, maintenance, and repair: N/A
19. Terms and Conditions of Installation: Negotiated on a case by case basis with the participating dealer.
20. Terms and Conditions of Repair Parts: N/A
21. List of Service and Distribution Points: N/A
22. Participating Dealer: Contact LIAT for a list of participants.
23. Preventative Maintenance: N/A
- 24a. Environmental Attributes: N/A
25. Data Universal Numbering System (DUNS) number: 038281451
- 26: Notification regarding registration in Central Registration (CCR) database: Registered

LIAT 

*design* the furniture. *innovate* the space. *engage* the users.

---

[liatfurniture.com](http://liatfurniture.com)

694 North Main Street · Troutman, NC 28166  
TF 888 440 8205 · F 704 528 6519